

I.T.S. by Tecnodue

PT 500

Edition 0409

Operating Manual

The technical data and information contained on this manual can be changed without any notice

PT 500

The machine has been designed and constructed for the welding of PE, PP, PVDF and other thermoplastics pipes and fittings.

I.T.S. Ital Trade Services S.r.l.

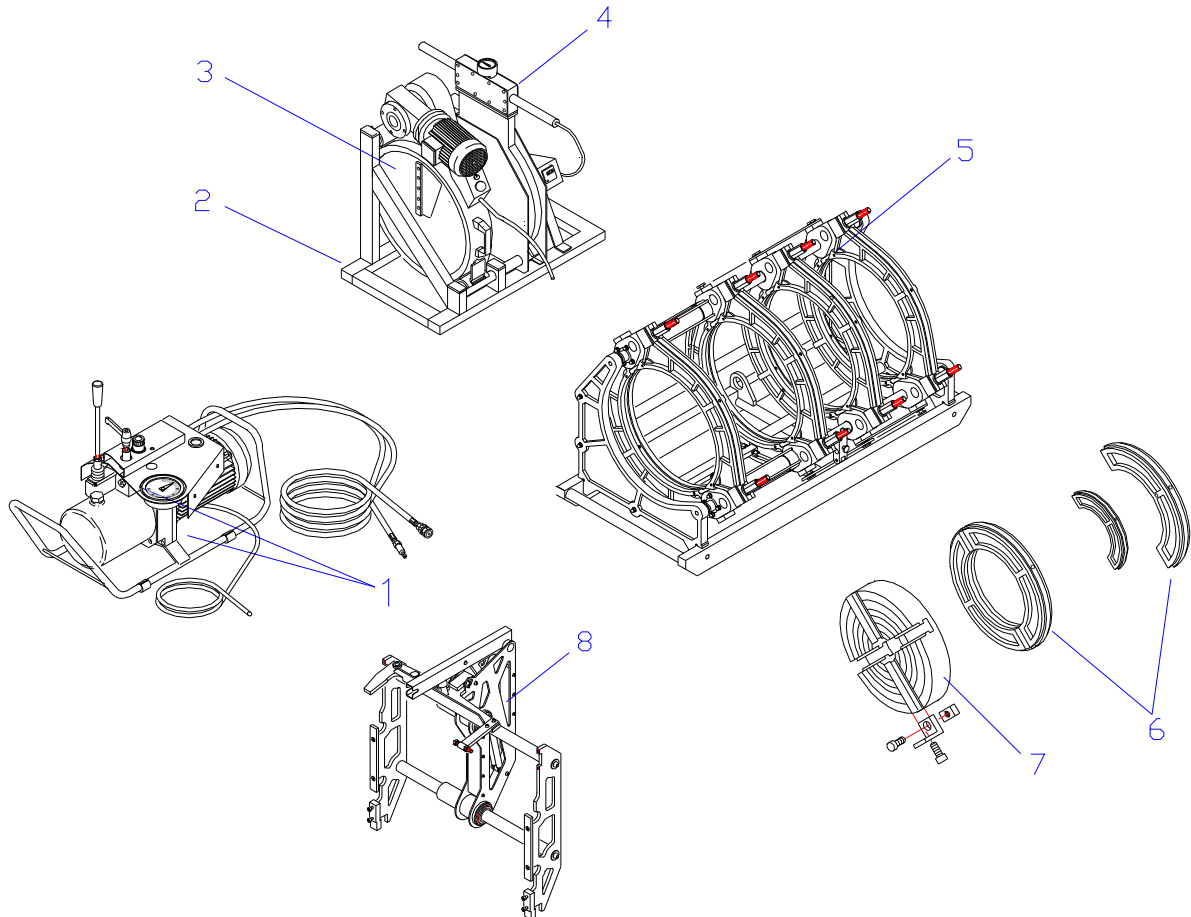
Via Scarsellini 77 , 16149 Genova Italy

Phone : +39-010-6423396

Fax : +39-010-6423513

E Mail : info@its-tecnodue.com

Web Site : www.its-tecnodue.com



Standard Components

1. Hydraulic Unit
2. Support for facing tool and heating mirror
3. Facing Tool
4. Heating Mirror
5. Basic machine

On request can be supplied:

6. Light weight alloy reducing rings for pipes and fittings d. 200,225,250,280,315,355,400,450mm
7. Stub End Device
8. MDD (PT automatic mirror device)
 - Short spigot fittings clamp d. 500mm
 - Wooden transport box according to ISPM 15
 - LDU (printing and storing data machine)
 - Electric board with automatic circuit breaker
 - Rollers

SAFETY RULES ACCORDING TO DIRECTIVES CEE

(To be read carefully and apply while utilizing the PT 500)

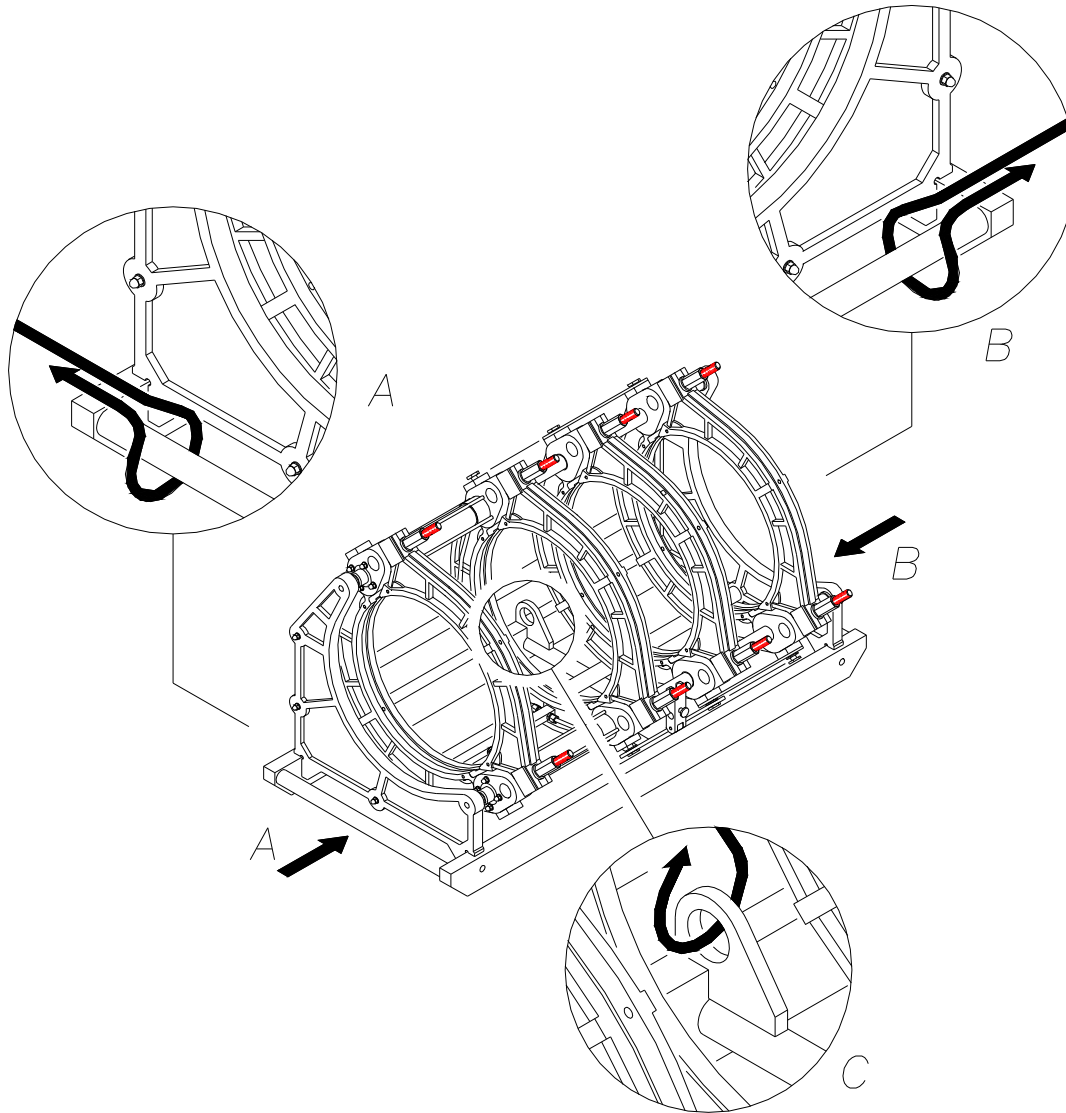
Due to the specific use, this machine cannot be supplied with all kind of fix and removable protections suitable to avoid any risk of accident. The machine, therefore, must be utilized, adjusted and keep in the perfect functioning conditions by skill operators.

Warning - Rules – Obligations

The use of machines composed by electrical components and movable parts, it's always a potential danger. In order to avoid any kind of accident caused by electrical or mechanical sources it' strongly suggested to read and follow carefully the following safety rules before operating the machine.

TRANSPORT/MOVEMENT

-Basic Machine , Keep the maximum care while moving and it's suggested to utilize mechanical aids. **ONLY MOVE THE BASIC MACHINE BY UTILIZING THE HOOKS SHOWN IN THE FIGURE BELOW. IT IS COMPULSORY TO USE THE SAME HOOKS DURING THE STANDARD USE OF THE MACHINE. DO NOT MOVE THE MACHINE BY HOOKING IT IN CLAMPS OR CYLINDERS. WHILE THE PIPES ARE FIT IN THE CLAMPS DO NOT MOVE THE MACHINE**



-Facing Tool ,supplied with transport's hook.

Keep the maximum care while moving it and it's compulsory to utilize the handle also take care about the blades mounted in, it's compulsory use gloves.

-Heating Mirror ,supplied with transport's handles

Keep the maximum care while moving it also keep the maximum care while utilizing it due to the high temperature involved always more than 200°C , it's strongly suggested to use suitable gloves.

In order to move from one working place to the other , the facing tool and the mirror must located into the special support , this support is heavy therefore it's necessary to utilize the maximum care to move it

-Hydraulic unit, supplied with transport's frame.

Keep the maximum care while moving it and in case utilize two person.

Avoid to transport the components by holding from the cable and remember to use suitable gloves.

ELECTRIC CONNECTIONS

The machine is operated by 230 Volts therefore be sure that the power supply plug is supplied with the safety devices according to the standard requirements , also check that the power supply will be on the range of maximum 10% of the machine's nominal tension.

While the facing tool is connected to the power supply do not leave it into the basic machine but place it into the special support. In this position, even if the start bottom is pushed the engine does not start.

Check regularly the cables and the plug and in case substitute by qualify personnel.

In case the heating mirror cable must be substitute the cable must be H07RN-F

Before carry out a reparation or maintenance all the plugs must with plug out from the power supply

ENVIRONMENTAL CONDITIONS

The working area must be clean and duly lighted. It's very dangerous to utilize the machine in case of rain or in wheat conditions or close to flammable agents.

CLOTHES

Keep the maximum care while utilizing the machine due to the high temperature involved on the heating mirror always more than 200°C , it's strongly suggested to use suitable gloves. Avoid long clothes and avoid bracelets , necklaces that might be hooked into the machine.

CORRECT MACHINE'S OPERATION

Remember to check and read carefully the operating manual before utilizing the machine and the accessories.

KEEP ALWAYS THE MAXIMUM ATTENTION

After the heating mirror has been disconnected temperature will be hot for some minutes.

Keep the maximum care while utilizing the facing tool. Be careful to the blades , it's strongly suggested to use suitable gloves. During the facing operation (facing tool in movement) it's forbidden to take out the shavings

Avoid utilizing the machine after drinking or drugs use

Take care that all the people around the machine are at safety distance

While starting operating take care to avoid leave arms between the movable and fix trolleys.

SQUASHING DANGER

While starting operating take care to avoid leave legs or arms between the movable and fix trolleys. It's compulsory to be far from the basic machine

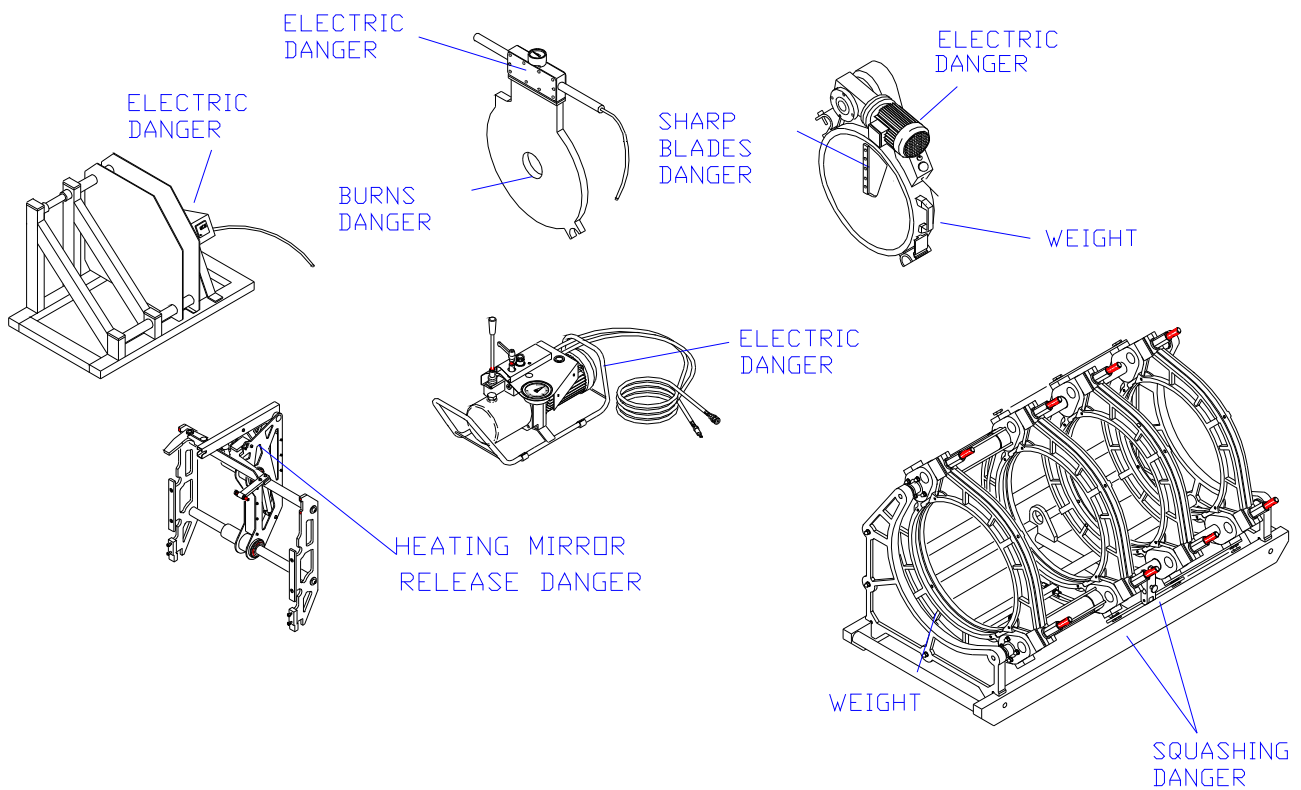
ACOUSTIC POLLUTION

The acoustic pollution of the drill engine is less than 85 dB (value measured at 1 meter distance from the operator)

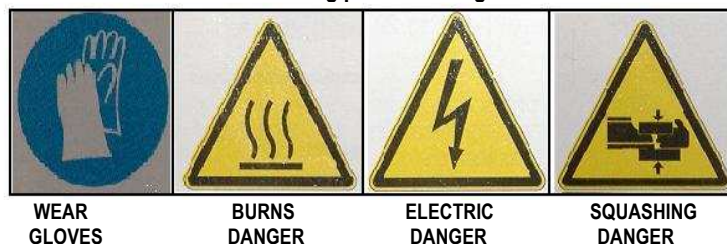
Due to some particular cases such as too much pressure during the facing the noise should be increased , therefore it's suggested to utilize some protections.

IMPORTANT !!!!

Keep the maximum care reading and following the above Warning - Rules - Obligations the Ital Trade Services S.r.l. decline all responsibilities if are not followed totally



Label on machine's components showing potential dangers



1. Technical data

Operating data	
Ambient temperature	0...50°C
Humidity (without condensation)	95 RH%
Transport and storing Temperature	-10...60°C
Electrical data	
Voltage	230 V
Frequency	50 Hz
Total power installed	7.7 KW 34 A
Heating mirror	IP 54 5.88 KW
Facing tool	IP 44 1.1 KW
Hydraulic unit	IP 44 0.74 KW
Hydraulic data	
Maximum working pressure	140 bar
Cylinder's section	14,13 cm ²
Pressure gauge	0 - 160 bar
Pressure gauge precision class	Cl. 1.0
Hydraulic unit engine revolutions	2800 rpm
Volumetric pump's capacity	1,2 cc/rev.
Pump's capacity	3.36 l/min
Hydraulic oil	ISO 46
Oil tank's capacity	1.5 liter
Mechanical Data	
Facing tool transmission system	Chain
Trolley maximum stroke	270 mm
Trolley slide bar diameter	40 mm
Distance between the cylinders centre	640 mm
Dimensions	
Basic machine	1495 x 930 x 870 mm
Facing tool	555 x 850 x 190 mm
Heating mirror	690 x 65 x 820 mm
Hydraulic unit	480 x 320 x 270 mm
Support for facing tool and heating mirror	670 x 655 x 510 mm
Weights	
Basic machine	171 Kg
Facing tool	69 Kg
Heating mirror	27 Kg
Hydraulic unit	28 Kg
Support for facing tool and heating mirror	31 Kg
Wooden transport box	145 Kg
Stub end device	33 Kg
Reducing inserts complete set	144 Kg

2. General description and application field

Hydraulic operated butt welding machines suitable for PE,PP,PVDF and other thermoplastics pipes and fittings.

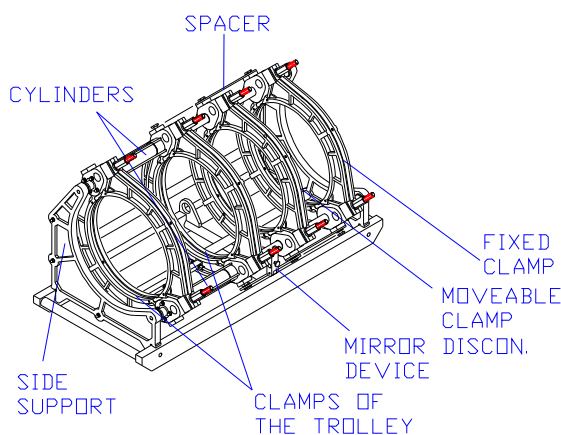
The self aligning frame and the compact dimensions make the machines highly suited for working in road constructions, ditches , aqueducts, gas ducts , sewers and irrigation systems.

Warning: The machine has been equipped with one mobile trolley and one fixed trolley. Place the pipe to be welded on the mobile trolley and and the pipeline end on the fixed trolley! Carefully check the pipes alignment before beginning to weld!

The machine is supplied complete of:

- 1) Basic machine d. 500 mm complete with a tools blue bag
- 2) Removable electric facing tool with safety switch
- 3) Removable PTFE coated heating mirror with a temperature control box.
- 4) Electro-hydraulic motor with accumulator and flexible hoses with quick couplings.
- 5) Support for facing tool and heating mirror

2.1 Basic machine



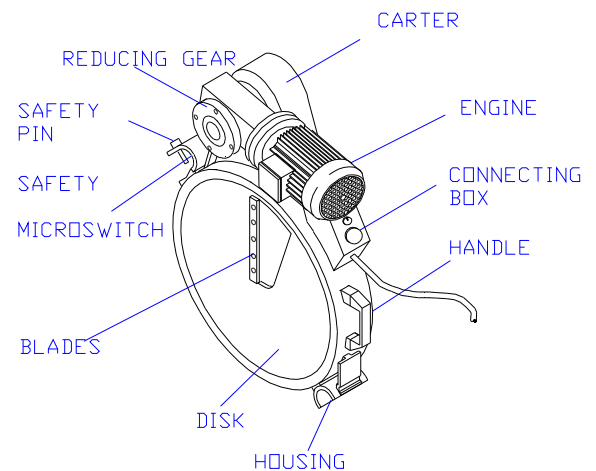
The basic machine is composed by:

- Two cylinders on which heads are mounted two complete clamps d. 500 mm
- One movable clamp d.500 mm sliding on cylinder's stem and fixable in different positions by means of using the clamps spacers
- A stiffening bar
- Two side supports clamp d.500 mm
- A frame including the hydraulic circuit with the anti-drop quick couplings.
- A heating mirror disconnecting device

2.2 Facing Tool

The electric facing tool is composed by:

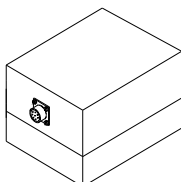
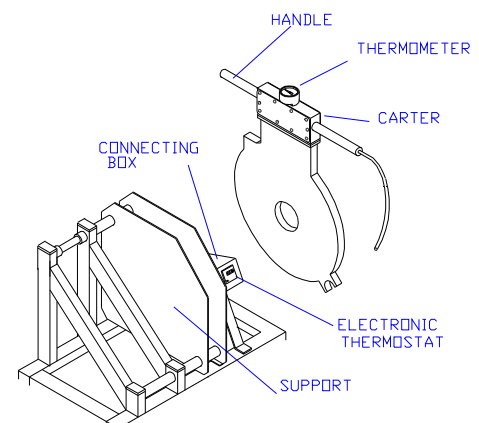
- The facing tool body
- Two disks where are mounted the blades
- An engine with a reducing gear supplied with a safety pin that , while connected keep the facing tool hooked to the machine.
- A safety micro-switch allowing the engine starts only when the facing tool is fit into the machine ,avoiding the start of the engine out of this position.



2.3 Heating Mirror

The heating mirror is composed by:

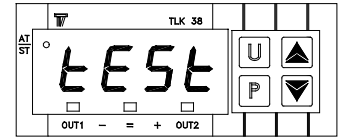
- The heating mirror coated with green color PTFE complete with thermometer (the thermometer does not depend upon the power supply and always survey the real temperature of the heating plate) and connecting box
- The support suitable for the heating mirror and the facing tool where is located the connecting box
- The electronic thermostat located on the connecting box .
- LDU connector. (The below figure shows where the LDU connector is located).



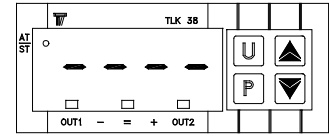
LDU Connector

2.3.1 Electronic thermostat – different functions

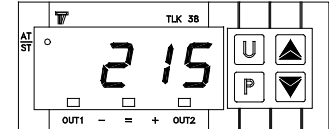
At each startup on the display will blink the writing 'TEST'. This means that the thermostat is testing the connection between the probe and the heating mirror.



If the test fails, the display will show 4 blinking upper scores (as per figure aside), in this case the probe or the connection between the thermostat and the heating mirror could be interrupted.



If the test success, the display will show the real temperature of the heating mirror and the heating mirror warms up (the OUT1 red led is switched on) until the set point value (the selected temperature) has been achieved (central green light led).



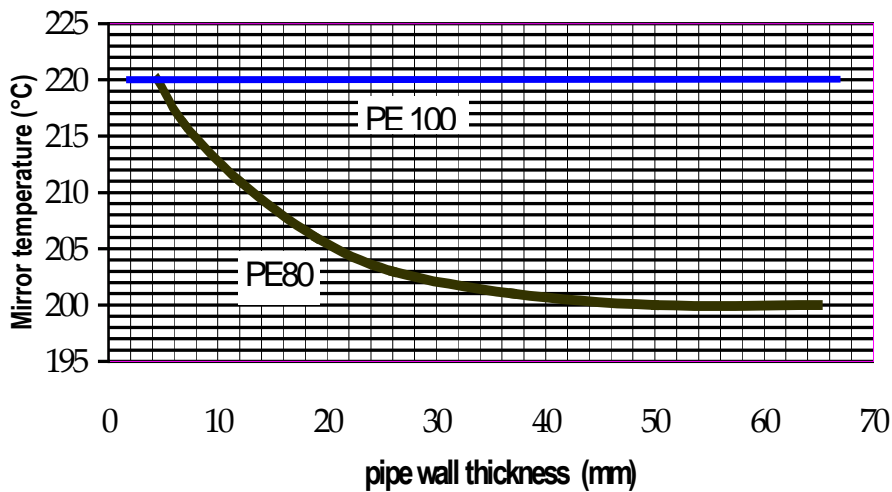
To display the actual set point value of the temperature stored by the thermostat, push the key P. The display will show alternately the writing 'SP1' and the set point value of the temperature. After 5 seconds the display will show again the real value of the heating mirror temperature

To select a new value for the thermostat set point value (default value = 220°C):

1. Push the key P (The display will show alternately the writing 'SP1' and the set point value of the temperature)
2. By acting on the arrow keys UP and DOWN it is possible to increase or decrease the set point value.
3. When you reach the desired value push the key P to confirm.
4. The display will show again the real value of the heating mirror temperature
5. When the heating mirror will reach the set point value on the display the central green light led will be switched on.

Warning: On the thermostat display is always shown the actual value of the heating mirror temperature (and never the set point value!)

Temperature of the welding mirror for welding PE DVS 2207-1 norm



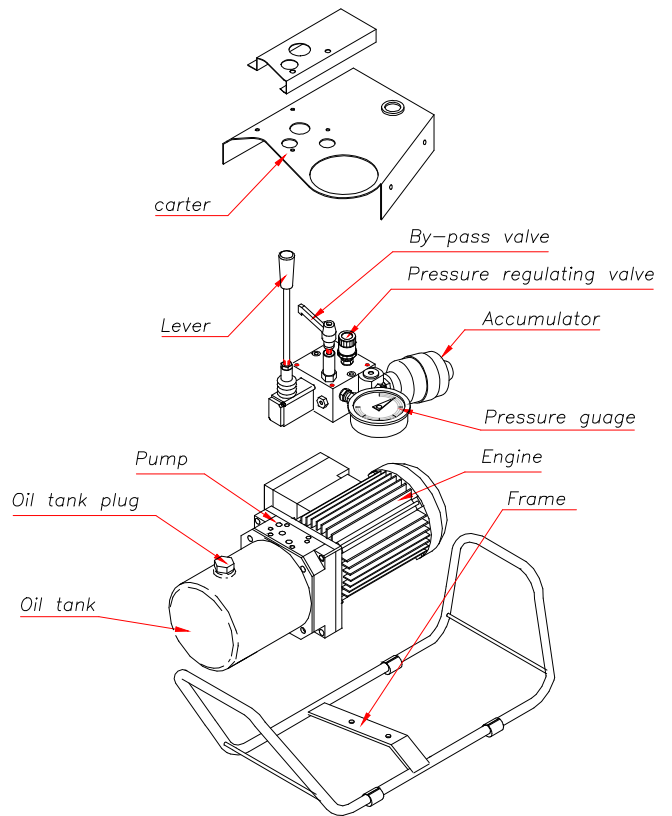
Remember

When welding PVDF, the temperature of the welding mirror should be adjusted for every wall thickness at 240°C +/- 8°C
 When welding PP, the temperature of the welding mirror should be adjusted for every wall thickness at 210°C +/- 10°C

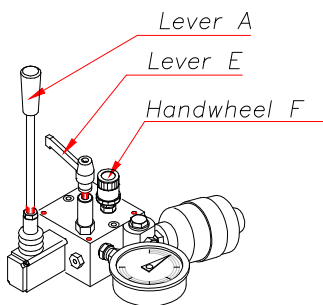
2.4 Hydraulic Unit

The basic components of the hydraulic unit are the following:

- Electric engine
- Hydraulic pump
- Oil tank
- Hydraulic unit controls
- Pressure accumulator
- Pressure gauge
- Metal frame

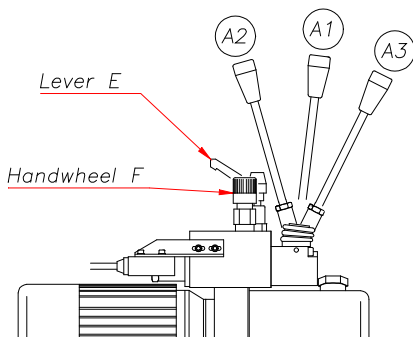


2.4.1 Hydraulic Unit Controls



The control lever **A** open and close the machine's trolley according to the position selected.

Bring the lever **A** into position **A2** (position with automatic return) the trolley is opening with the maximum pressure set up into the hydraulic unit. In position **A1** the lever shut down automatically the engine (release position). Bring the lever **A** into the position **A3** (position with hooking) the trolley is closing, the hooking of such position allow the operator handling.



The hand wheel **F** of the pressure control allow the setting up of the pressure at the requested values by turning anti clockwise the pressure release, while turning clockwise the pressure increase.

The pressure by pass lever **E** allow, by turning anti clockwise the pressure releasing, while turning clockwise allow the pressure increasing by means of using the hand wheel **F** and fixing. If you completely clockwise turn the by pass valve, the pressure will be blocked and the hydraulic unit will maintain the same pressure in case of engine switched off.

2.4.2 How to use the hydraulic unit

Operating Instructions

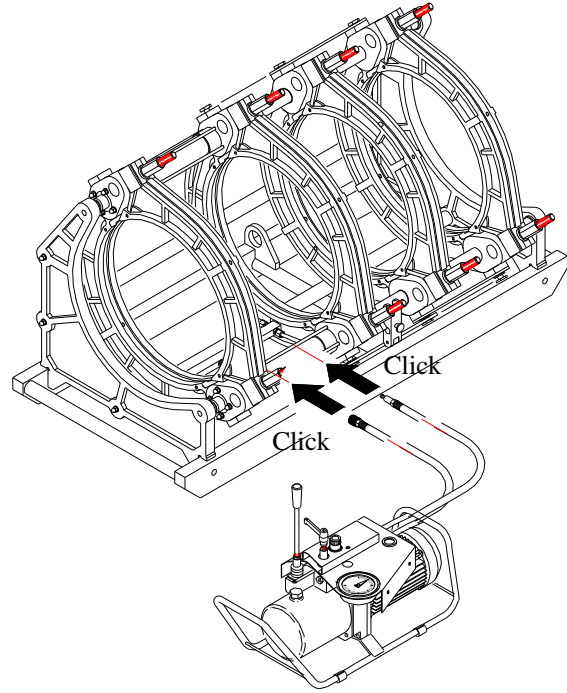
In order to make easy the learning we shall proceed to the description step by step of all operations need in order to complete a welding according to the following description:

Important !

Before begin the following operation be sure that:

- The lever **A** is fixed into the special housing
- Substitute the metal plug with the plastic black and red plug the plastic plug is supplied with the machine into a plastic bag.

01. Fit the two pipes to be weld (see relative instructions)
02. By turning the lever **E** anticlockwise bring the pressure to zero, checking the pressure gauge **D**
03. Turn clockwise the lever **E** until closing (please avoid using an excessive strength)
04. Bring the lever **A** into position **A3**
05. By turning clockwise the hand wheel **F** achieve the inertial pressure value (value of pressure need in order to allow the trolley moving) note the value of inertial pressure read into the pressure gauge **D**, then by still operating the hand wheel **F**, increase the inertial pressure value by the welding theoretical pressure value as per attached table.
06. Achieved the true welding pressure value (inertial pressure plus theoretical welding pressure) bring the lever **A** into position **A2**.
07. Fit the facing tool (see relative instructions)
08. By acting on lever **E** anticlockwise achieve a pressure value of approx 5 bar more than the inertial pressure value checked and then proceed to the facing tool operation (taking care that the engine's overloading).
09. At the end of the facing operation bring the lever **A** into position **A3** and remove the facing tool.
10. Fit the heating mirror taking care that the temperature of the surfaces is the one selected (see relative instructions)
11. Bring the lever **A** into **A3** in order to have the bead formation as per attached table, this operation must be done with the true welding pressure value.
12. After bead formation act on lever **E** anticlockwise in order to bring the pressure to zero and proceed to the heating time as per attached table.
13. Elapsed the heating time at pressure zero bring the lever **A** into position **A2** and remove the heating mirror and immediately bring the lever **A** into position **A3** and acting on lever **E** clockwise put in contact the two pipes until achieving the true welding pressure value by checking the pressure gauge **D**. These operations must be done according to the time indicated into the attached table.
14. Bring the lever **A** into position **A1** and keep such situation for all the cooling time indicated into the attached table, taking care that the pressure will not decrease too much, in case bring for a little while the lever **A** into position **A3** and put back into position **A1**
15. Elapsed the cooling time by acting on lever **E** anticlockwise bring the pressure to zero.
16. Take away the pipes welded



WE STRONGLY SUGGEST TO TRY MANY TIMES AND GET FAMILIAR TO THE UNIT BEFORE CARRYING ON WITH COMPLETE WELDING. A WRONG USE OF THE HYDRAULIC UNIT COULD COMPROMISE YOUR WELDINGS..

3. Heating mirror disconnecting device

You can configure the machine according to the kind of welding to be executed as per the following different ways:

- Two fixed clamps and two moveable clamps Fig. 1
- One fixed clamp and three moveable clamps Fig. 2

You can change from a configuration to another in a quick way by simply acting on the two spacers and on the disconnecting device.

In the first configuration of the machine the disconnecting devices is between the two moveable clamps and the two fixed clamps.

The spacers are between the two fixed clamps.

In the second configuration of the machine the disconnecting devices is between the three moveable clamps and the fixed clamp.

The spacers are between the second and third moveable clamps.

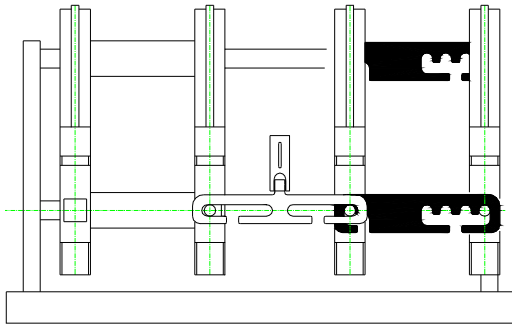


Figure 1. Configuration 2 moveable clamps + 2 fixed clamps clamp

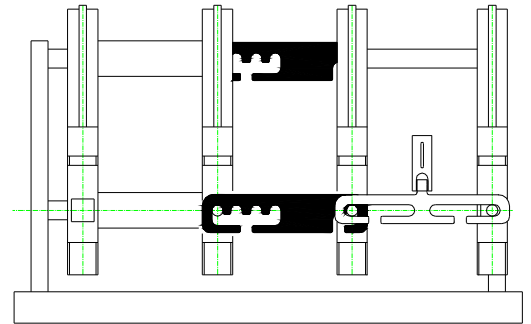


Figura 2. Configuratione 3 moveable clamps mobili + 1 fixed clamp

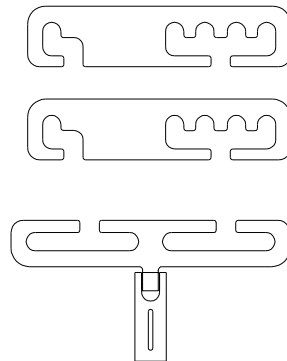
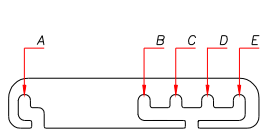


Figure 3.

On the left: The special shape of the spacers let a quick configuration of the machine.

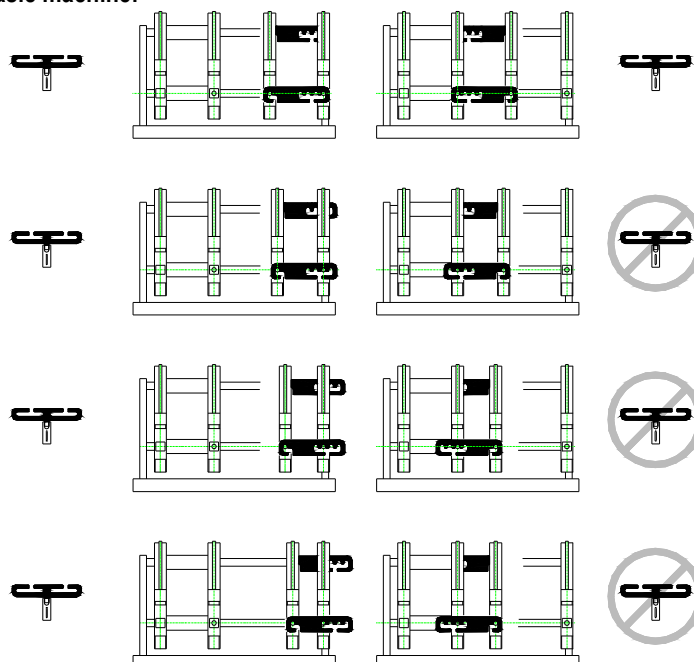
You can easily change the spacer position without using any kind of tool. You can modify the distance between the clamps connected by the spacers.

Fix the first clamp to the hole A and the second clamp in one of the holes B, C, D, E

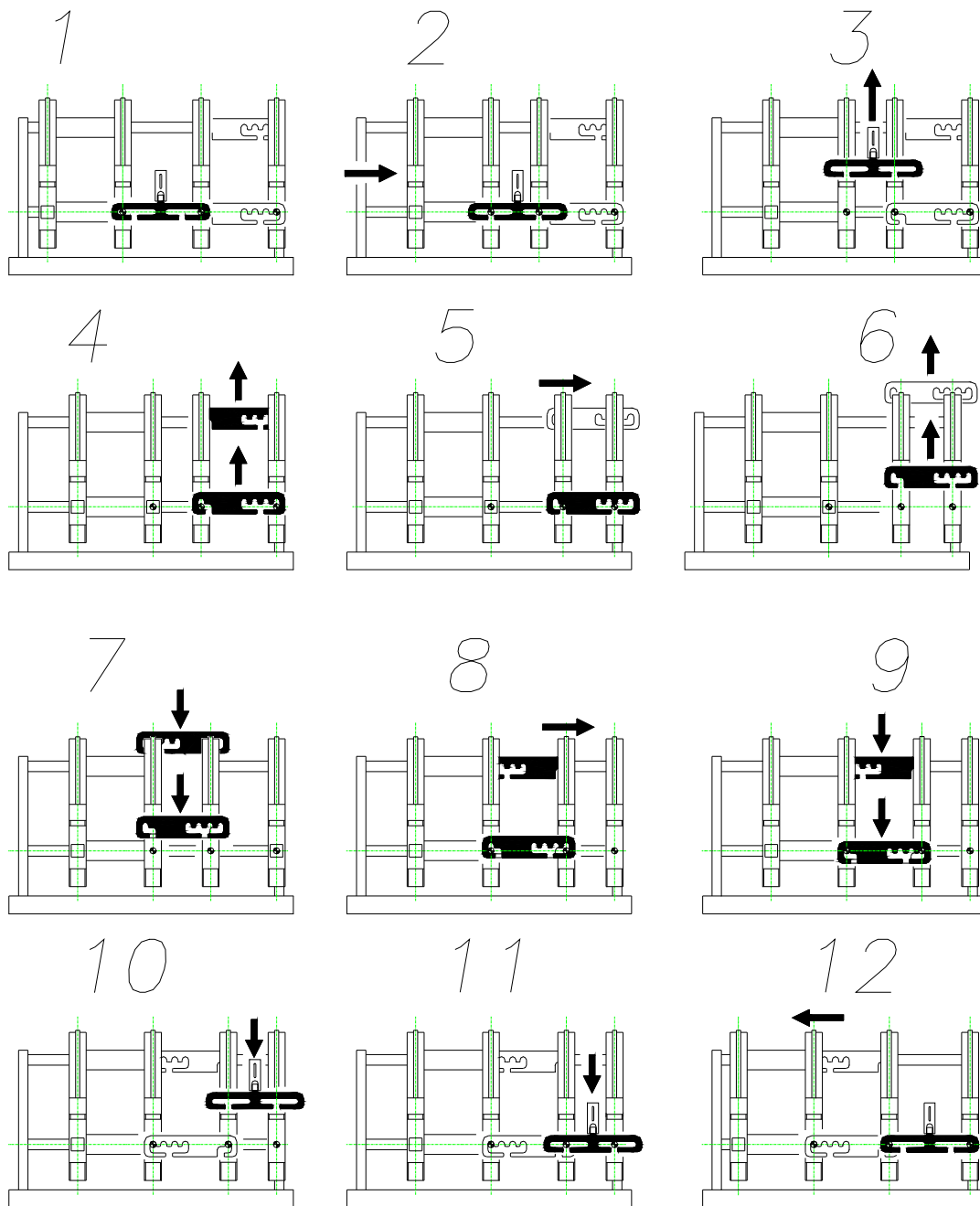
On the right (from above) Upper and lower spacer (interchangeable) and disconnecting device

WARNING !

Only in two configurations you can use the disconnecting device with spacer! In the other configuration use only the spacer to avoid serious damages to the basic machine!



How to change the configuration from two fixed clamps and two sliding clamps into one fixed clamp and three sliding clamps



WARNING!

You can only place the upper and lower spacers in the same clamps and using the same holes. It is strictly forbidden to put the spacer in different clamps and in different holes.

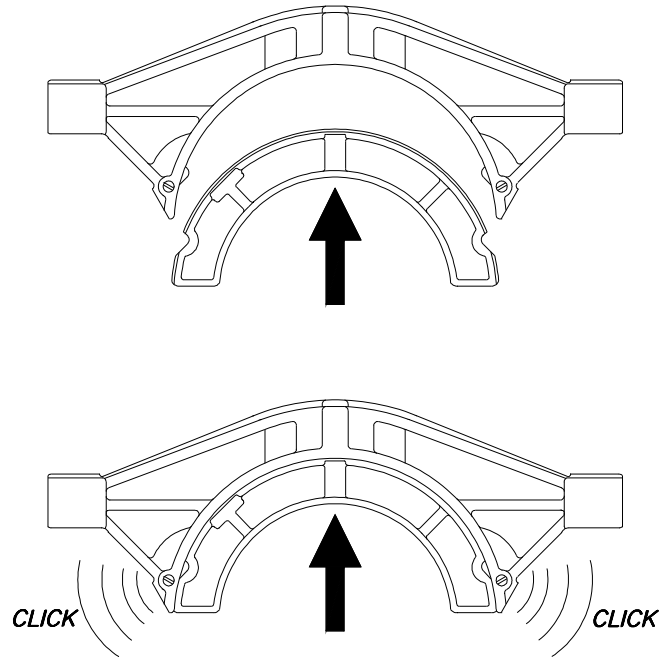
1. Configuration 2 moveable clamps + 2 fixed clamps
2. Not completely close the trolleys
3. Remove the heating mirror disconnecting device
4. Lift the spacers as shown in the figure above
5. By using your hands translate the third clamps as in the figure above
6. Remove the spacers
7. Place the spacers between the two central clamps
8. By using your hands translate the moveable clamps until the clamp reaches the limit stop.
9. Fix the spacers by pushing them down
10. Place the heating mirror disconnecting device
11. To fix the heating mirror disconnecting device open the trolleys
12. Configuration 3 moveable clamps + 1 fixed clamp

To configure the again the machine with 2 moveable clamps you must repeat the procedure above in a reverse sense.

3.1 Beep-beep inserts reductions

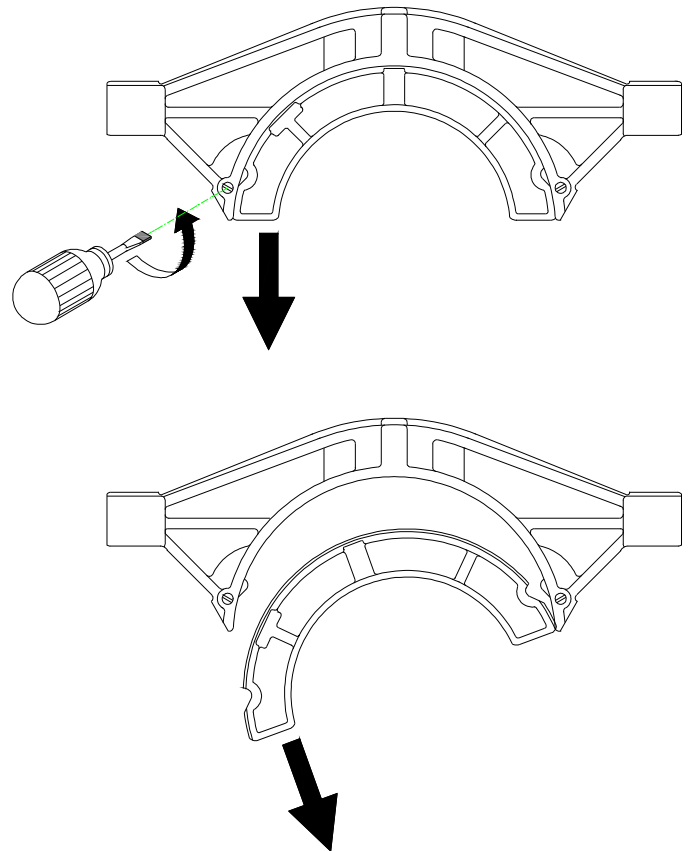
To use a beep-beep inserts reduction

To use a beep-beep reduction, fix it by lightly pushing the reduction in the direction shown as per figure aside. As you hear a 'click' sound the reduction is properly fixed.



To remove the beep-beep reduction

To safely remove the beep-beep reduction by means of a screwdriver turn to left the screw shown in the figure aside. As soon as the reduction is not anymore hooked to the clamp you can remove it.



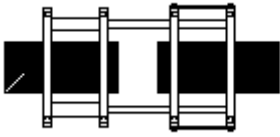
Attention: If you need to use reductions under d. 280mm you must before install the reductions d. 315x500mm - If you need to use reductions under d. 250mm you must before install the reductions d. 315x500mm and 250x315mm.

4. Butt welding in brief

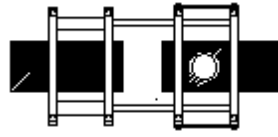
4.1 Introduction

Stated that the basic machine it's suitable for all kinds of pipe, fittings and stub end available on the nowadays market. Here follows all the different welding configurations of the machine:

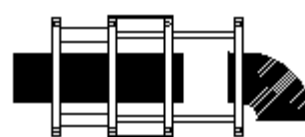
- 1) Pipe with Pipe, standard configuration of the machine
- 2) Pipe with long spigot fitting, standard configuration of the machine
- 3) Pipe with short spigot fitting, to achieve this kind of welding it is strongly suggested to configure the machine with three moveable clamps and 1 fixed clamp. Furthermore you must use the upper fittings clamp to fix better the fittings to the fixed clamp
- 4) Fitting with short spigot stub end, to achieve this kind of welding it is strongly suggested to configure the machine with three moveable clamps and 1 fixed clamp. To fix the stub end you must use a special accessory called stub end device. Place the 4 brackets at the appropriate size punched on the stub end device. Fix the stub end by tighten the bolt of each bracket. The stub end device is supplied with a fixing ring and you can install it on each clamp of the machine.
- 5) Pipe with short spigot stub end, to achieve this kind of welding you can use two different configuration of the machine (5 or 6)
- 6) Pipe with short spigot stub end, to achieve this kind of welding you can use two different configuration of the machine (5 or 6)



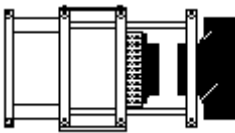
1. PIPE WITH PIPE



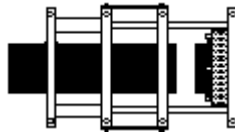
2. PIPE WITH LONG SPIGOT FITTING



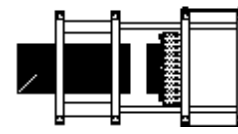
3. PIPE WITH SHORT SPIGOT FITTING



4. FITTING WITH SHORT SPIGOT STUB END



5. PIPE WITH SHORT SPIGOT STUB END

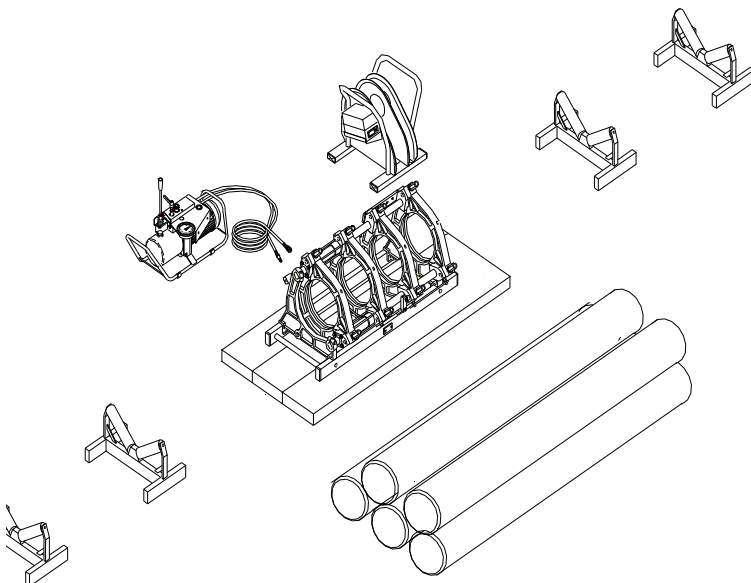


6. PIPE WITH SHORT SPIGOT STUB END

4.2 Machine's preparation

It's strongly suggested to use pipe rollers for the sliding of the pipes to be welded and if it's possible positioning the machine with wooden table below, such cares will avoid additional efforts to the machine.

- a) Set up the working area so that welding is protected from the weather. Position the machine's components as per following figure and eventually utilize wooden panels

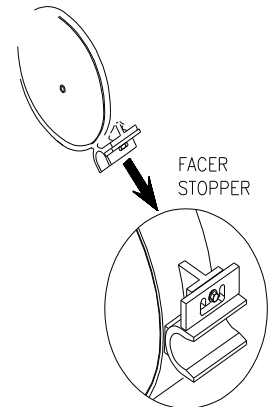


- b) Connect the flexible hoses of the hydraulic unit to the machine

- c) Connect the plugs to the power supply (Hydraulic unit, Facing tool and Heating mirror) after checking that the main power supply is within a 10% of the specified one “ **Warning Heating Mirror start to warm up !** “
- d) Select the correct temperature on the heating mirror
- e) In case fit the inserts of the diameter to be welded into the machine

4.3 Pipes positioning into the machine and facing operation

- a) Open the movable trolley of the machine by means of acting the lever **A (hyd. Unit)** and take it in position **A2**
- b) Position the pipes into the machine taking care to leave enough space for the facing tool inserting
- c) Check the pipes alignment, in case adjust it by means of tighten or loosing the clamps bolts. The maximum misalignment could be lesser than 10% of the pipe or fittings wall thickness. In any case the misalignment cannot be over than 2mm.
- d) Clean the pipe ends
- e) Fit in the facing tool between the two pipe's ends to be faced, by means of connecting the facing tool into the special supports. Connect the safety pin and start the facing tool engine
- f) On the facing tool there is a facer stopper (see the figure aside). In case of one of the pipe ends has a small projection; the facer stopper let you select the only pipe to face. Put the facer stopper in the left or in the right hole to prevent the right or left facing. To face all the pipes put the facer stopper in the central hole.



Warning!!!: Always check that the speed selector of the drill engine is in position 1 (lower speed)

- g) Slowly approach the pipes ends towards the facing tool by means of acting on the hydraulic control unit (lever **A Table V**) keeping a value of pressure allowing the facing of the surfaces and avoiding an overload of the drill engine (a too much high pressure could burnt out the drill engine). When shavings from both sides will appear continuous and homogeneous, the facing operation is completed.
- h) Put in contact the two pipes ends to be welded and check if the eventual disjunction is within the values of the following table:

Outside diameter mm	Port mm
< 400	0,5
> 400	1,0

In case the above values cannot be fulfilled the facing operation must be repeat.

4.4 Inertial pressure measurement

Before begin a welding cycle it is necessary to measure the inertial pressure. This value must be added to the pressure value shown in our welding tables. The inertial pressure value depends on welding operating conditions (ex.: length and weight of the pipe to drag, general condition of the machine, ambient temperature, etc.). To measure the inertial pressure follow these steps:

- a) Completely open the movable trolley of the machine by means of acting the lever **A** and take it in position **A2**
- b) By turning the lever **F (Hyd. Unit)** anticlockwise bring the pressure to zero, checking the pressure gauge
- c) Turn clockwise the lever **E (Hyd. Unit)** until closing
- d) Bring the lever **A (Hyd. Unit)** into position **A3** (the trolleys do not move because there is no pressure)
- e) By turning clockwise the hand wheel **F** note the inertial pressure value (value of pressure need in order to allow the trolley moving) by reading it into the pressure gauge

4.5 Welding cycle

To obtain the best result we strongly suggest allowing the use of the machine only to experienced operators

The welding phase is composed by 5 phases with 5 different times:

PHASE 1 = t_1 = Time requested for the bead formation with the specified wall thickness

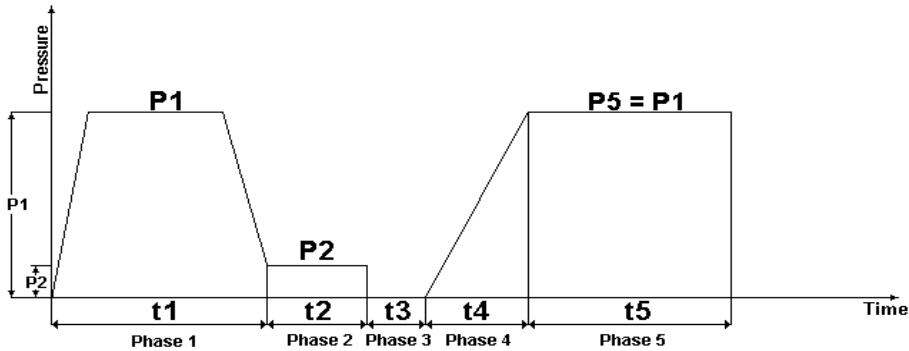
PHASE 2 = t_2 = Time requested for the continual heating

PHASE 3 = t_3 = Time requested for the change over

PHASE 4 = t_4 = Time requested for bringing up the pressure

PHASE 5 = t_5 = time requested for cooling down

Pressure-Time diagram for butt welding



PHASE 1 = Heating up t_1

- Fit the heating mirror taking care that the temperature of the surfaces is the one selected
- Bring the lever **A (Hyd. Unit)** into position **A3** in order to have the bead formation as per attached table, this operation must be done with the true welding pressure value: (Inertial pressure + P_1).
- Check the Bead formation wall thickness according to the attached welding table

PHASE 2 = Heating up t_2

- After bead formation act on lever **E (Hyd. Unit)** anticlockwise in order to bring the pressure nearly to zero and proceed to the heating time t_2 at pressure P_2

PHASE 3 = Change over t_3

- Elapsed the heating time at pressure P_2 bring the lever **A (Hyd. unit)** into position **A2** and remove the heating mirror and immediately bring the lever **A** into position **A3** and acting on lever **E** clockwise put in contact the two pipes

PHASE 4 = Bringing up pressure t_4

- Achieve the true welding pressure value: (Inertial pressure + $P_1 = P_5$) by checking the pressure gauge, This operation must be done according to the time indicated into the attached welding table.

PHASE 5 = Cooling Down t_5

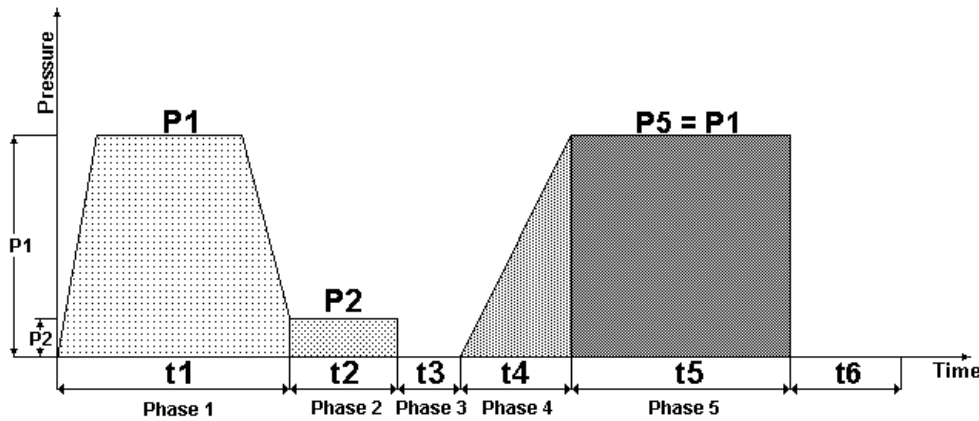
- Bring the lever **A** into position **A1** and keep such situation for all the cooling time indicated into the attached welding table, taking care that the pressure will not decrease too much
- Elapsed the cooling time by acting on lever **E** anticlockwise bring the pressure to zero.
- Take away the pipes welded

Important !!!

In case of any doubt please refer to the specific instructions

5. Welding Parameters for PE pipes & fittings DVS norm version 2207-1

Pressure-Time diagram for butt welding



- t1 = Time requested for the bead formation with the specified wall thickness
- t2 = Time requested for the continual heating
- t3 = Time requested for the change over
- t4 = Time requested for bringing up the pressure
- t5 = time requested for cooling down
- P1 = Pressure during the bead formation and the cooling down, this value is the result of the formula:

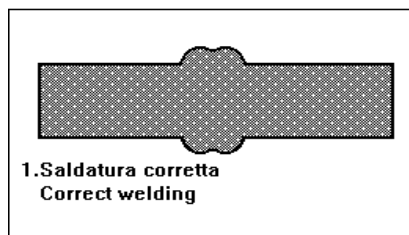
$$\frac{\text{Pipe section(cm}^2\text{) } \times \text{ Material thrust coefficient(Kg./cm}^2\text{)}}{\text{Total machine cylinders section(cm}^2\text{)}} = \text{bar}$$

Total machine cylinders section(cm²)

Material thrust coefficient for PE s 63	1,5 Kg./cm ²
Material thrust coefficient for PP	1,0 Kg./cm ²
Total PT 160 cylinders section	4,32 cm ²

P2 = Pressure during the continual heating, this value either for HDPE and PP is 0,1 Kg./cm².

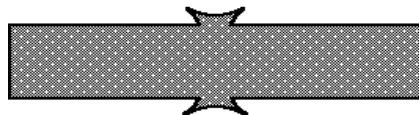
Optical checking of butt welding result



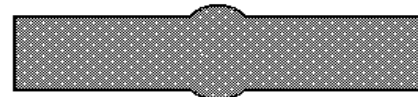
1. Saldatura corretta
Correct welding



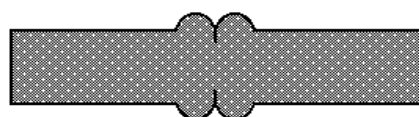
2. Il materiale presenta differente tempo di riscaldamento e/o temperatura di fusione
The materials have different heating time and/or heating temperature



3. Cordone di saldatura stretto ed alto eccesso di pressione
Welding bead narrow and tall, too much pressure



4. Cordone di saldatura piccolo, pressione insufficiente
Small welding bead, not enough pressure

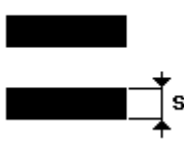
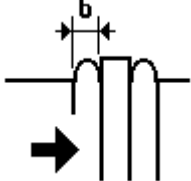
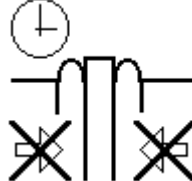
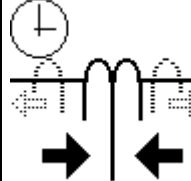
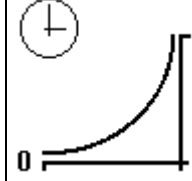
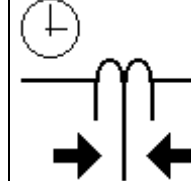


5. Fenditura profonda al centro del cordone di saldatura, temperatura insufficiente o tempo di cambio troppo lungo
Crack on the center of welding bead, not enough temperature or long change over time

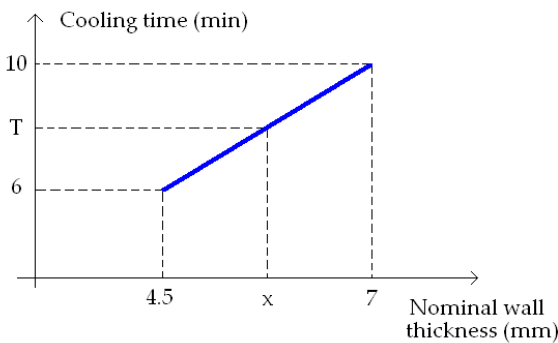


6. Disallineamento, tolleranza massima consentita 10% dello spessore della parete del tubo
Disalignment, tolerance accepted 10% of pipe wall thickness

5.1 Welding Parameters for PE & PP sheets, pipes & fittings according to DVS 2207-1 – 2207-11

					
Nominal Wall thickness	Alignment Bead height on heater plate at the end of the alignment time (alignment under 0.15 N/mm ²)	Heating-up Heating-up time= 10 x wallthickness (heating-up 0.02 N/mm ²)	Changeover time	Joining pressure	Cooling time under joining pressure p=0.15 N/mm ² 0.01
Mm	mm (minimum values)	s	S (maximum time)	s	Min (minimum values)
MATERIAL PE					
Until 4.5	0.5	45	5	5	6
4.5 ... 7	1.0	45 ... 70	5 ... 6	5 ... 6	6 ... 10
7 ... 12	1.5	70 ... 120	6 ... 8	6 ... 8	10 ... 16
12 ... 19	2.0	120 ... 190	8 ... 10	8 ... 11	16 ... 24
19 ... 26	2.5	190 ... 260	10 ... 12	11 ... 14	24 ... 32
26 ... 37	3.0	260 ... 370	12 ... 16	14 ... 19	32 ... 45
37 ... 50	3.5	370 ... 500	16 ... 20	19 ... 25	45 ... 60
50 ... 70	4.0	500 ... 700	20 ... 25	25 ... 35	60 ... 80
MATERIAL PP					
Until 4.5	0.5	135	5	6	6
4.5 ... 7	0.5	135 ... 175	5 ... 6	6 ... 7	6 ... 12
7 ... 12	1.0	175 ... 245	6 ... 7	6 ... 11	12 ... 20
12 ... 19	1.0	245 ... 330	7 ... 9	11 ... 17	20 ... 30
19 ... 26	1.5	330 ... 400	9 ... 11	17 ... 22	30 ... 40
26 ... 37	2.0	400 ... 485	11 ... 14	22 ... 32	40 ... 55
37 ... 50	2.5	485 ... 560	14 ... 17	32 ... 43	55 ... 70

Example on how to calculate the cooling down (t5) time following the DVS NORM



As per drawing above the time T corresponds to wall thickness value X in mm. To calculate this time (t5 in minutes) please follow the formula below:

$$T = 6 + \frac{10 - 6}{7 - 4,5} \cdot (x - 4,5)$$

Example:

If you want to calculate the cooling down time for a 6mm wall thickness pipe, you must simply substitute the variable X with the value 6:

$$T = 6 + \frac{10 - 6}{7 - 4,5} \cdot (6 - 4,5) = 8,4 \text{ min}$$

To calculate the other times (t3 and t4) you must use the same principle of linear interpolation.

To obtain the t2 (in seconds) value use the formula below where the variable wt corresponds to the nominal wall thickness

$$T_2(\text{sec}) = 10 \cdot \text{wt}(\text{mm})$$

6. Welding Table for PE pipes DVS norm version 2207-1

The following tables show the values to be applied during the welding cycle as per previous instructions and graph. However in order to clarify once again the meaning of these values please kindly note:

- t1** = Time requested for the bead formation to be done with pressure value = **P1** + inertial pressure
t2 = Time requested for the continual heating to be done with pressure value = **P2** + inertial pressure
t3 = Time requested for the change over
t4 = Time requested for bringing up the pressure at the value of pressure = **P1** + inertial pressure
t5 = time requested for cooling down to be done with pressure value = **P1** + inertial pressure

Important

Remember always to add the value checked of inertial pressure to the P1 and P2 values !!!!!!!

PT 500 - DVS 2207-1			Cyl. section cm ² 14,1				Welding range 200-500 mm				
material PE80-100			SDR 41								
D	S	T	P1 bead		P2 t2		t3	t4	P5 t5		
DIAMETER	WALL THICK.	TEMP.	BEAD FORMATION		HEATING UP		CHANGE OV.	RAMP	COOLING		
mm	mm	°C	bar	mm	bar	sec	sec	sec	bar	min	
200	4,9	219	3,2	1,0	0.. 0,2	49	0.. 5	5	3,2	7	
225	5,5	218	4,	1,0	0.. 0,3	55	0.. 5	5	4,	8	
250	6,1	217	5,	1,0	0.. 0,3	61	0.. 6	6	5,	9	
280	6,8	216	6,2	1,0	0.. 0,4	68	0.. 6	6	6,2	10	
315	7,7	215	7,9	1,5	0.. 0,5	77	0.. 6	6	7,9	11	
355	8,7	214	10,	1,5	0.. 0,7	87	0.. 7	7	10,	12	
400	9,8	213	12,7	1,5	0.. 0,8	98	0.. 7	7	12,7	13	
450	11,0	212	16,1	1,5	0.. 1,1	110	0.. 8	8	16,1	15	
500	12,2	211	19,8	2,0	0.. 1,3	122	0.. 8	8	19,8	16	

PT 500 - DVS 2207-1			Cyl. section cm ² 14,1				Welding range 200-500 mm				
material PE80-100			SDR 33								
D	S	T	P1 bead		P2 t2		t3	t4	P5 t5		
DIAMETER	WALL THICK.	TEMP.	BEAD FORMATION		HEATING UP		CHANGE OV.	RAMP	COOLING		
mm	mm	°C	bar	mm	bar	sec	sec	sec	bar	min	
200	6,1	218	3,9	1,0	0.. 0,3	61	0.. 6	6	3,9	8	
225	6,8	216	5,	1,0	0.. 0,3	68	0.. 6	6	5,	10	
250	7,6	215	6,1	1,5	0.. 0,4	76	0.. 6	6	6,1	11	
280	8,5	215	7,7	1,5	0.. 0,5	85	0.. 7	7	7,7	12	
315	9,5	213	9,7	1,5	0.. 0,6	95	0.. 7	7	9,7	13	
355	10,8	212	12,3	1,5	0.. 0,8	108	0.. 8	8	12,3	15	
400	12,1	211	15,7	2,0	0.. 1,0	121	0.. 8	8	15,7	16	
450	13,6	210	19,8	2,0	0.. 1,3	136	0.. 8	9	19,8	18	
500	15,2	209	24,5	2,0	0.. 1,6	152	0.. 9	9	24,5	20	

Warning!: in case of PE100 welding, temperature T must be increased to 220°C

PT 500 - DVS 2207-1			Cyl. section cm ² 14,1				Welding range 200-500 mm			
material PE80-100			SDR 27,6							
D	S	T	P1 bead		P2 t 2		t 3	t 4	P5 t 5	
DIAMETER	WALL THICK.	TEMP.	BEAD FORMATION		HEATING UP		CHANGE OV.	RAMP	COOLING	
mm	mm	°C	bar	mm	bar	sec	sec	sec	bar	min
200	7,2	216	4,7	1,5	0.. 0,3	72	0.. 6	6	4,7	10
225	8,2	215	5,9	1,5	0.. 0,4	82	0.. 6	6	5,9	11
250	9,1	214	7,3	1,5	0.. 0,5	91	0.. 7	7	7,3	12
280	10,1	213	9,1	1,5	0.. 0,6	101	0.. 7	7	9,1	14
315	11,4	212	11,5	1,5	0.. 0,8	114	0.. 8	8	11,5	15
355	12,9	210	14,7	2,0	0.. 1,0	129	0.. 8	8	14,7	17
400	14,5	209	18,6	2,0	0.. 1,2	145	0.. 9	9	18,6	19
450	16,3	208	23,6	2,0	0.. 1,6	163	0.. 9	10	23,6	21
500	18,1	207	29,1	2,0	0.. 1,9	181	0.. 10	11	29,1	23

PT 500 - DVS 2207-1			Cyl. section cm ² 14,1				Welding range 200-500 mm			
material PE80-100			SDR 26							
D	S	T	P1 bead		P2 t 2		t 3	t 4	P5 t 5	
DIAMETER	WALL THICK.	TEMP.	BEAD FORMATION		HEATING UP		CHANGE OV.	RAMP	COOLING	
mm	mm	°C	bar	mm	bar	sec	sec	sec	bar	min
200	7,7	215	4,9	1,5	0.. 0,3	77	0.. 6	6	4,9	11
225	8,7	214	6,2	1,5	0.. 0,4	87	0.. 7	7	6,2	12
250	9,6	213	7,7	1,5	0.. 0,5	96	0.. 7	7	7,7	13
280	10,8	212	9,7	1,5	0.. 0,6	108	0.. 8	8	9,7	15
315	12,1	211	12,2	2,0	0.. 0,8	121	0.. 8	8	12,2	16
355	13,7	210	15,5	2,0	0.. 1,0	137	0.. 8	9	15,5	18
400	15,4	209	19,7	2,0	0.. 1,3	154	0.. 9	9	19,7	20
450	17,3	207	25,	2,0	0.. 1,7	173	0.. 9	10	25,	22
500	19,2	206	30,8	2,5	0.. 2,1	192	0.. 10	11	30,8	24

PT 500 - DVS 2207-1			Cyl. section cm ² 14,1				Welding range 200-500 mm			
material PE80-100			SDR 22							
D	S	T	P1 bead		P2 t 2		t 3	t 4	P5 t 5	
DIAMETER	WALL THICK.	TEMP.	BEAD FORMATION		HEATING UP		CHANGE OV.	RAMP	COOLING	
mm	mm	°C	bar	mm	bar	sec	sec	sec	bar	min
200	9,1	214	5,8	1,5	0.. 0,4	91	0.. 7	7	5,8	13
225	10,2	213	7,3	1,5	0.. 0,5	102	0.. 7	7	7,3	14
250	11,4	212	9,	1,5	0.. 0,6	114	0.. 8	8	9,	15
280	12,7	210	11,3	2,0	0.. 0,8	127	0.. 8	8	11,3	17
315	14,3	209	14,4	2,0	0.. 1,0	143	0.. 9	9	14,4	19
355	16,1	208	18,2	2,0	0.. 1,2	161	0.. 9	10	18,2	21
400	18,2	207	23,1	2,0	0.. 1,5	182	0.. 10	11	23,1	23
450	20,5	205	29,3	2,5	0.. 2,0	205	0.. 10	12	29,3	26
500	22,7	204	36,2	2,5	0.. 2,4	227	0.. 11	13	36,2	28

Warning!: in case of PE100 welding, temperature T must be increased to 220°C

PT 500 - DVS 2207-1			Cyl. section cm ² 14,1				Welding range 200-500 mm				
material PE80-100			SDR 21								
D	S	T	P1 bead		P2 t 2		t 3	t 4	P5 t 5		
DIAMETER	WALL THICK.	TEMP.	BEAD FORMATION		HEATING UP		CHANGE OV.	RAMP	COOLING		
mm	mm	°C	bar	mm	bar	sec	sec	sec	bar	min	
200	9,5	213	6,	1,5	0.. 0,4	95	0.. 7	7	6,	13	
225	10,7	212	7,7	1,5	0.. 0,5	107	0.. 7	7	7,7	14	
250	11,9	211	9,4	1,5	0.. 0,6	119	0.. 8	8	9,4	16	
280	13,3	210	11,9	2,0	0.. 0,8	133	0.. 8	9	11,9	18	
315	15,0	209	15,	2,0	0.. 1,0	150	0.. 9	9	15,	19	
355	16,9	208	19,1	2,0	0.. 1,3	169	0.. 9	10	19,1	22	
400	19,0	206	24,2	2,5	0.. 1,6	190	0.. 10	11	24,2	24	
450	21,4	205	30,6	2,5	0.. 2,0	214	0.. 11	12	30,6	27	
500	23,8	204	37,8	2,5	0.. 2,5	238	0.. 11	13	37,8	29	

PT 500 - DVS 2207-1			Cyl. section cm ² 14,1				Welding range 200-500 mm				
material PE80-100			SDR 17,6								
D	S	T	P1 bead		P2 t 2		t 3	t 4	P5 t 5		
DIAMETER	WALL THICK.	TEMP.	BEAD FORMATION		HEATING UP		CHANGE OV.	RAMP	COOLING		
mm	mm	°C	bar	mm	bar	sec	sec	sec	bar	min	
200	11,4	212	7,1	1,5	0.. 0,5	114	0.. 8	8	7,1	15	
225	12,8	210	9,0	2,0	0.. 0,6	128	0.. 8	8	9,0	17	
250	14,2	209	11,2	2,0	0.. 0,7	142	0.. 9	9	11,2	19	
280	15,9	208	14,0	2,0	0.. 0,9	159	0.. 9	10	14,0	20	
315	17,9	207	17,7	2,0	0.. 1,2	179	0.. 10	11	17,7	23	
355	20,2	206	22,5	2,5	0.. 1,5	202	0.. 10	12	22,5	25	
400	22,7	204	28,6	2,5	0.. 1,9	227	0.. 11	13	28,6	28	
450	25,6	203	36,2	2,5	0.. 2,4	256	0.. 12	14	36,2	32	
500	28,4	203	44,7	3,0	0.. 3,0	284	0.. 13	15	44,7	35	

PT 500 - DVS 2207-1			Cyl. section cm ² 14,1				Welding range 200-500 mm				
material PE80-100			SDR 17								
D	S	T	P1 bead		P2 t 2		t 3	t 4	P5 t 5		
DIAMETER	WALL THICK.	TEMP.	BEAD FORMATION		HEATING UP		CHANGE OV.	RAMP	COOLING		
mm	mm	°C	bar	mm	bar	sec	sec	sec	bar	min	
200	11,8	211	7,4	1,5	0.. 0,5	118	0.. 8	8	7,4	16	
225	13,2	210	9,3	2,0	0.. 0,6	132	0.. 8	9	9,3	17	
250	14,7	209	11,5	2,0	0.. 0,8	147	0.. 9	9	11,5	19	
280	16,5	208	14,5	2,0	0.. 1,0	165	0.. 9	10	14,5	21	
315	18,5	206	18,3	2,0	0.. 1,2	185	0.. 10	11	18,3	23	
355	20,9	205	23,3	2,5	0.. 1,6	209	0.. 10	12	23,3	26	
400	23,5	204	29,5	2,5	0.. 2,0	235	0.. 11	13	29,5	29	
450	26,5	203	37,4	3,0	0.. 2,5	265	0.. 12	14	37,4	33	
500	29,4	202	46,1	3,0	0.. 3,1	294	0.. 13	16	46,1	36	

Warning!: in case of PE100 welding, temperature T must be increased to 220°C

PT 500 - DVS 2207-1			Cyl. section cm ² 14,1				Welding range 200-500 mm				
material PE80-100			SDR 13,6								
D	S	T	P1 bead		P2 t 2		t 3	t 4	P5 t 5		
DIAMETER	WALL THICK.	TEMP.	BEAD FORMATION		HEATING UP		CHANGE OV.	RAMP	COOLING		
mm	mm	°C	bar	mm	bar	sec	sec	sec	bar	min	
200	14,7	209	9,1	2,0	0.. 0,6	147	0.. 9	9	9,1	19	
225	16,5	208	11,5	2,0	0.. 0,8	165	0.. 9	10	11,5	21	
250	18,4	206	14,2	2,0	0.. 0,9	184	0.. 10	11	14,2	23	
280	20,6	205	17,8	2,5	0.. 1,2	206	0.. 10	12	17,8	26	
315	23,2	204	22,5	2,5	0.. 1,5	232	0.. 11	13	22,5	29	
355	26,1	203	28,6	3,0	0.. 1,9	261	0.. 12	14	28,6	32	
400	29,4	202	36,3	3,0	0.. 2,4	294	0.. 13	16	36,3	36	
450	33,1	202	46,0	3,0	0.. 3,1	331	0.. 15	17	46,0	40	
500	36,8	201	56,8	3,0	0.. 3,8	368	0.. 16	19	56,8	45	

PT 500 - DVS 2207-1			Cyl. section cm ² 14,1				Welding range 200-500 mm				
material PE80-100			SDR 11								
D	S	T	P1 bead		P2 t 2		t 3	t 4	P5 t 5		
DIAMETER	WALL THICK.	TEMP.	BEAD FORMATION		HEATING UP		CHANGE OV.	RAMP	COOLING		
mm	mm	°C	bar	mm	bar	sec	sec	sec	bar	min	
200	18,2	207	11,	2,0	0.. 0,7	182	0.. 10	11	11,	23	
225	20,5	205	13,9	2,5	0.. 0,9	205	0.. 10	12	13,9	26	
250	22,7	204	17,2	2,5	0.. 1,1	227	0.. 11	13	17,2	28	
280	25,5	203	21,6	2,5	0.. 1,4	255	0.. 12	14	21,6	31	
315	28,6	203	27,3	3,0	0.. 1,8	286	0.. 13	15	27,3	35	
355	32,3	202	34,7	3,0	0.. 2,3	323	0.. 14	17	34,7	39	
400	36,4	201	44,1	3,0	0.. 2,9	364	0.. 16	19	44,1	44	
450	40,9	201	55,8	3,5	0.. 3,7	409	0.. 17	21	55,8	50	
500	45,5	200	68,9	3,5	0.. 4,6	455	0.. 19	23	68,9	55	

PT 500 - DVS 2207-1			Cyl. section cm ² 14,1				Welding range 200-500 mm				
material PE80-100			SDR 9								
D	S	T	P1 bead		P2 t 2		t 3	t 4	P5 t 5		
DIAMETER	WALL THICK.	TEMP.	BEAD FORMATION		HEATING UP		CHANGE OV.	RAMP	COOLING		
mm	mm	°C	bar	mm	bar	sec	sec	sec	bar	min	
200	22,2	205	13,2	2,5	0.. 0,9	222	0.. 11	12	13,2	28	
225	25,0	203	16,7	2,5	0.. 1,1	250	0.. 12	14	16,7	31	
250	27,8	203	20,6	3,0	0.. 1,4	278	0.. 13	15	20,6	34	
280	31,1	202	25,8	3,0	0.. 1,7	311	0.. 14	16	25,8	38	
315	35,0	201	32,7	3,0	0.. 2,2	350	0.. 15	18	32,7	43	
355	39,4	201	41,5	3,5	0.. 2,8	394	0.. 17	20	41,5	48	
400	44,4	200	52,7	3,5	0.. 3,5	444	0.. 18	22	52,7	54	
450	50,0	200	66,7	3,5	0.. 4,4	500	0.. 20	25	66,7	60	
500	55,6	200	82,3	4,0	0.. 5,5	556	0.. 21	28	82,3	66	

Warning!: in case of PE100 welding, temperature T must be increased to 220°C

PT 500 - DVS 2207-1			Cyl. section cm ² 14,1				Welding range 200-500 mm					
material PE80-100			SDR 7,4									
D	S	T	P1 bead		P2 t 2		t 3		t 4	P5 t 5		
DIAMETER	WALL THICK.	TEMP.	BEAD FORMATION		HEATING UP		CHANGE OV.		RAMP	COOLING		
mm	mm	°C	bar	mm	bar	sec	sec	sec	sec	bar	min	
200	27,0	203	15,6	3,0	0..	1,0	270	0..	12	14	15,6	33
225	30,4	202	19,7	3,0	0..	1,3	304	0..	14	16	19,7	37
250	33,8	202	24,3	3,0	0..	1,6	338	0..	15	18	24,3	41
280	37,8	201	30,5	3,5	0..	2,0	378	0..	16	19	30,5	46
315	42,6	201	38,7	3,5	0..	2,6	426	0..	18	22	38,7	51
355	48,0	200	49,1	3,5	0..	3,3	480	0..	19	24	49,1	58
400	54,1	200	62,3	4,0	0..	4,2	541	0..	21	27	62,3	64
450	60,8	200	78,9	4,0	0..	5,3	608	0..	23	30	78,9	71

Warning!: in case of PE100 welding, temperature T must be increased to 220°C

7. Welding Parameters for PP pipes & fittings DVS norm version 2207-11

material PP		SDR 41		PP		Cylinder section cm ² 14,13				
D	S	Temp.	P1	bead	P2	t 2	t 3	t 4	P5	t 5
mm	mm	° C	bar	mm	bar	sec	sec	sec	bar	sec
200	4,9	210°	2,1	0,5	0,2	141	5	6	2,1	418
225	5,5	210°	2,7	0,5	0,3	151	5	6	2,7	504
250	6,1	210°	3,3	0,5	0,3	161	6	7	3,3	590
280	6,9	210°	4,2	0,5	0,4	173	6	7	4,2	706
315	7,7	210°	5,3	1	0,5	185	6	8	5,3	787
355	8,7	210°	6,7	1	0,7	199	6	8	6,7	883
400	9,8	210°	8,5	1	0,8	214	7	9	8,5	989
450	11	210°	10,7	1	1,1	231	7	10	10,7	1104
500	12,2	210°	13,2	1	1,3	247	7	11	13,2	1217
material PP		SDR 33		PP		Cylinder section cm ² 14,13				
D	S	Temp.	P1	bead	P2	t 2	t 3	t 4	P5	t 5
mm	mm	° C	bar	mm	bar	sec	sec	sec	bar	sec
200	6,2	210°	2,7	0,5	0,3	162	6	7	2,7	605
225	7	210°	3,4	0,5	0,3	175	6	7	3,4	720
250	7,8	210°	4,2	1	0,4	186	6	8	4,2	797
280	8,7	210°	5,2	1	0,5	199	6	8	5,2	883
315	9,8	210°	6,6	1	0,7	214	7	9	6,6	989
355	11,1	210°	8,5	1	0,8	232	7	10	8,5	1114
400	12,4	210°	10,7	1	1,1	250	7	11	10,7	1234
450	14	210°	13,6	1	1,4	269	8	13	13,6	1371
500	15,5	210°	16,7	1	1,7	287	8	14	16,7	1500
material PP		SDR 26		PP		Cylinder section cm ² 14,13				
D	S	Temp.	P1	bead	P2	t 2	t 3	t 4	P5	t 5
mm	mm	° C	bar	mm	bar	sec	sec	sec	bar	sec
200	7,7	210°	3,3	1	0,3	185	6	8	3,3	787
225	8,7	210°	4,2	1	0,4	199	6	8	4,2	883
250	9,7	210°	5,2	1	0,5	213	7	9	5,2	979
280	10,8	210°	6,5	1	0,6	228	7	10	6,5	1085
315	12,2	210°	8,2	1	0,8	247	7	11	8,2	1217
355	13,7	210°	10,4	1	1,0	265	7	12	10,4	1346
400	15,4	210°	13,2	1	1,3	286	8	14	13,2	1491
450	17,4	210°	16,7	1	1,7	310	9	16	16,7	1663
500	19,3	210°	20,6	1,5	2,1	333	9	17	20,6	1826
material PP		SDR 17.6		PP		Cylinder section cm ² 14,13				
D	S	Temp.	P1	bead	P2	t 2	t 3	t 4	P5	t 5
mm	mm	° C	bar	mm	bar	sec	sec	sec	bar	sec
200	11,4	210°	4,8	1	0,5	237	7	11	4,8	1142
225	12,8	210°	6,0	1	0,6	255	7	12	6,0	1269
250	14,2	210°	7,4	1	0,7	271	8	13	7,4	1389
280	15,9	210°	9,3	1	0,9	292	8	14	9,3	1534
315	17,9	210°	11,8	1	1,2	316	9	16	11,8	1706
355	20,1	210°	15,0	1,5	1,5	341	9	18	15,0	1894
400	22,7	210°	19,0	1,5	1,9	367	10	20	19,0	2117
450	25,5	210°	24,1	1,5	2,4	395	11	22	24,1	2357
500	28,3	210°	29,7	2	3,0	418	12	24	29,7	2588

material PP		SDR	11	PP		Cylinder section cm ² 14,13				
D	S	Temp.	P1	bead	P2	t 2	t 3	t 4	P5	t 5
mm	mm	° C	bar	mm	bar	sec	sec	sec	bar	sec
200	18,2	210°	7,4	1	0,7	319	9	16	7,4	1731
225	20,5	210°	9,3	1,5	0,9	345	9	18	9,3	1929
250	22,8	210°	11,5	1,5	1,2	368	10	20	11,5	2126
280	25,5	210°	14,4	1,5	1,4	395	11	22	14,4	2357
315	28,7	210°	18,3	2	1,8	422	12	24	18,3	2621
355	32,3	210°	23,2	2	2,3	450	13	28	23,2	2915
400	36,4	210°	29,4	2	2,9	483	14	31	29,4	3251
450	41	210°	37,3	2,5	3,7	509	15	35	37,3	3577
500	45,5	210°	46,0	2,5	4,6	536	16	39	46,0	3888

8. Maintenance

8.1 Basic machine

It's strongly suggested to keep always the machine clean with particular care of the bolts and the cylinder's heads .
Keep attention while insert the electric facing tool and the PTFE coated heating mirror avoiding to damage the machine's slide bars.

8.2 Facing tool

It's strongly suggested to keep always clean the blades and wash the pulleys by using a detergent.
At regular intervals carry out a complete cleaning operation with a internal lubrication as well , as per following instructions:

- Remove the carter by enlighten the screws
- Take out the shavings might be present
- Enlighten the screws and remove the pulley and carry out the cleaning and the lubrication of the bearing .

8.3 Heating mirror

Please take care on handling the heating mirror in order to avoid damages to the PTFE coating.
Keep always clean the PTFE coated surfaces, cleaning must be done with surface still warm by using a soft cloth or paper, avoiding abrasive materials in that might damage the PTFE coated surfaces. To achieve this operation you must wear protective gloves
At regular intervals we suggest you to:

- Clean the surfaces by a quick evaporation detergent (alcohol)
- Check the tightening of the screws and the cable and plug condition
- Verify the temperature differences on the heating mirror surfaces according to the following table DVS norm 2208-1 here following table:

WELDING SURFACE OF THE MIRROR	ΔT_1	ΔT_2	ΔT_{TOT}	ΔT_1
< 250 cm ²	5 °C	3 °C	8 °C	Maximum temperature difference on the mirror surface
> 250 cm ²	7 °C	3 °C	10 °C	Temperature deviation for the adjustment
				ΔT_{TOT} Maximum accepted difference on the mirror surface

8.4 Hydraulic unit

The hydraulic unit does not need particular maintenance nevertheless the following instructions must be followed:

1. Check periodically the oil level and in case add with oil type:
ESSO NUTO H 68,SHELL TELLUS 68,MOBIL DTE 26,AGIP OSO 46
The level should not be lower than 5 cm from the tank maximum level.
A checking every 15 working days it's strongly suggested.
2. Replace totally the oil every 6 months or after 500 working hours.
3. Keep clean the hydraulic unit with particular care on the tank and quick couplings.
4. Avoid to operate with rain or high humidity (95 RH %) value and temperatures below 0°C or above + 50°C.
5. During the transport it's suggested to put the metal plug instead of the plastic one.

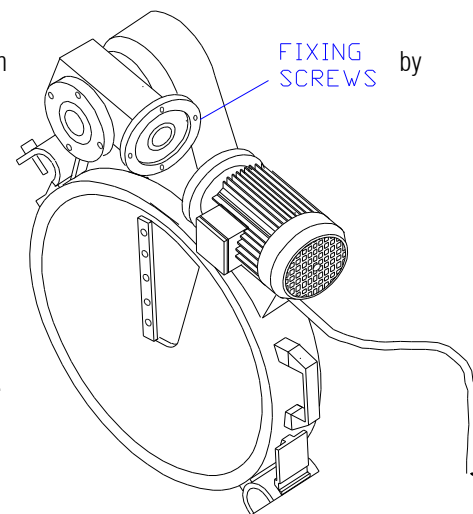
9. Troubleshooting and relative solutions

9.1 Basic machine

- a) **The quick couplings can't be connected:**
Check if there's pressure on the hoses in case bring the pressure to zero (see relative instructions)
Check if the quick couplings are clean
- b) **The machine does not move in linear way:**
The above mentioned situation could happen in case of clash or in case the machine with the pipe assembled in has been fiercely moved. If the damaged part can be located proceed to the substitution, however if the trouble still remain, kindly contact the Customer Service
- c) **The nut/s is/are seizure:**
Replace the complete tie rod bolt
- d) **Oil leakage in the cylinders:**
Consult the **Customer Service Dept.** verify if it's necessary to replace the cylinders or just the gasket

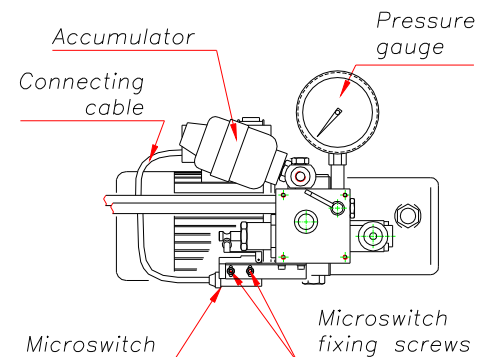
9.2 Facing tool

- a) **The engine does not start:**
Unplug the facing tool and check the electric connections and the safety micro-switch (shown the arrow)
- b) **The engine is burnt out:**
In case it's need to replace the engine the following operations must be done:
- Unplug the facing tool
 - Unscrew the fixing screws
 - Disconnect the safety microswitch
 - Remove the engine by means of pulling in upper direction. In case of difficulties, you can use a thin blade to detach the two flanges.
- c) **The blades do not remove material:**
Wear and tear of one cutting side enlighten the screws and turn the blades using the other side.
Wear and tear of both cutting side of the blades replace with original spare parts.



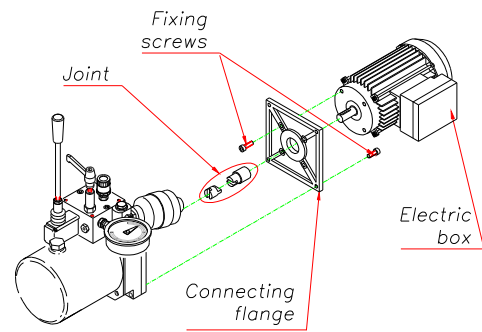
9.3 Hydraulic unit

- a) **The engine does not start:**
Check that the hydraulic unit engine is switched on
The microswitch is damaged or wrongly adjusted
- To adjust the microswitch you must enlighten the screws show in the figure below and bring the lever A to position A3.
 - Move the microswitch towards the internal of the hydraulic until the engine start and tighten the fixing screw.
 - Check that in position A1 the engine is switched off.
 - In different case adjust the microswitch position again.



b) The engine replacement:

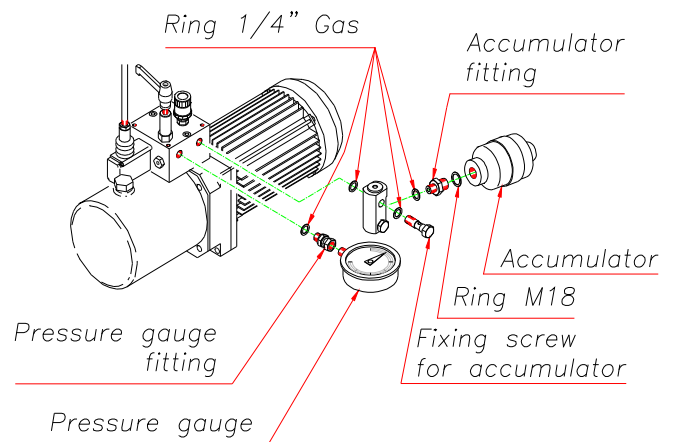
Check that the electric plug is disconnected
 Open the electric connections box and disconnect the micro-switch cable
 Enliven the screws and take out the engine
 Take out the joints and insert them on the new engine
 Reassemble the engine taking care that the joints are perfectly located on the own housings
 Check the anti clockwise rotation of the electric fan

**c) If the hydraulic unit cannot increase the pressure reasons could be :**

- Check the oil level
- The lever **E** is not closed.
- Check if they are some leakage on hydraulic circuit.

d) If the hydraulic unit cannot maintain a constant pressure reasons could be :

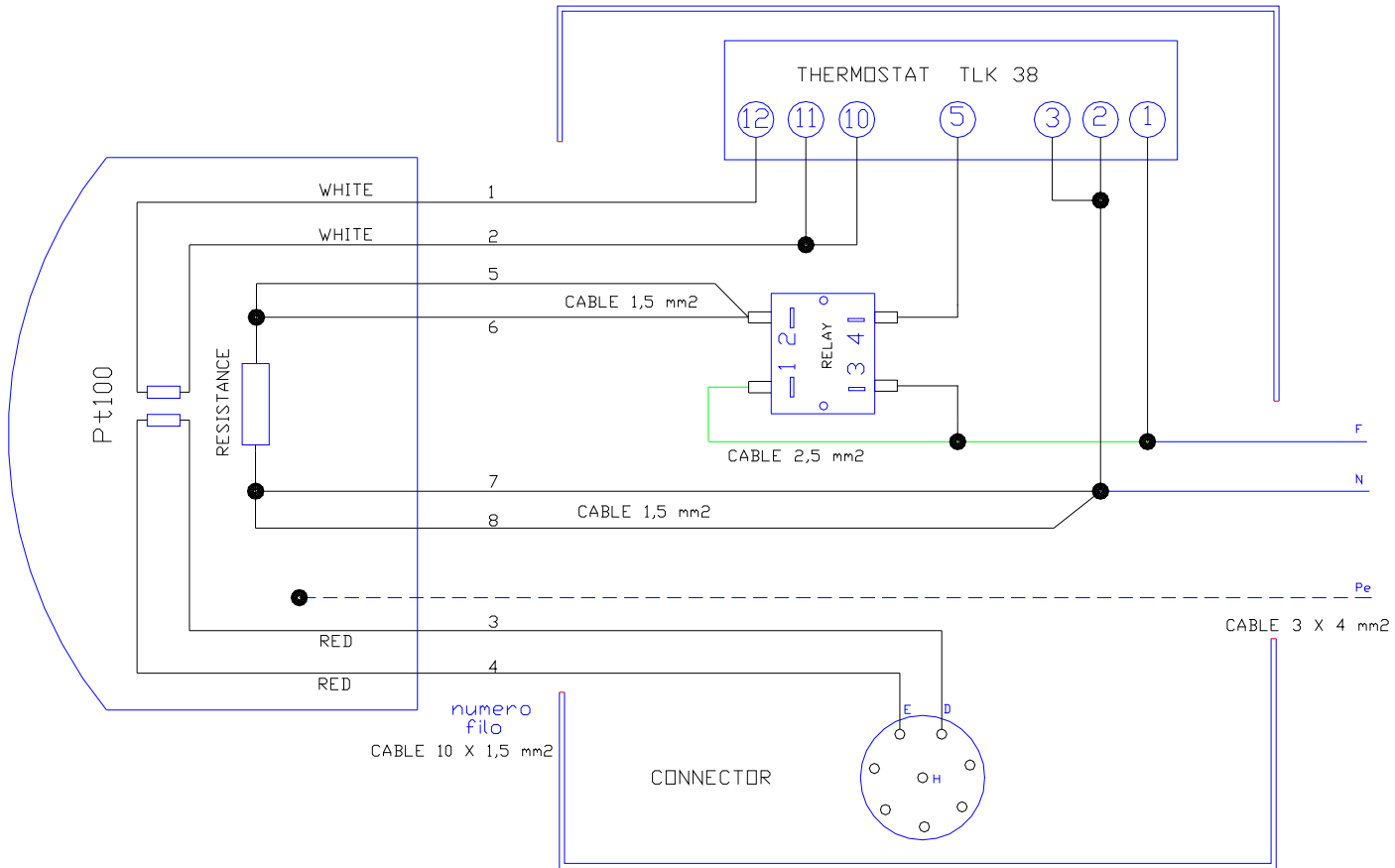
- The lever **E** is not closed.
- The accumulator is down or damaged. To replace the pressure gauge follows the below steps:
 1. Bring the pressure to zero and enliven the bolt
 2. Take out the fitting and replace the damaged accumulator with the new one
 3. Tighten the bolt

**9.4 Heating mirror****a) The heating mirror does not warm up:**

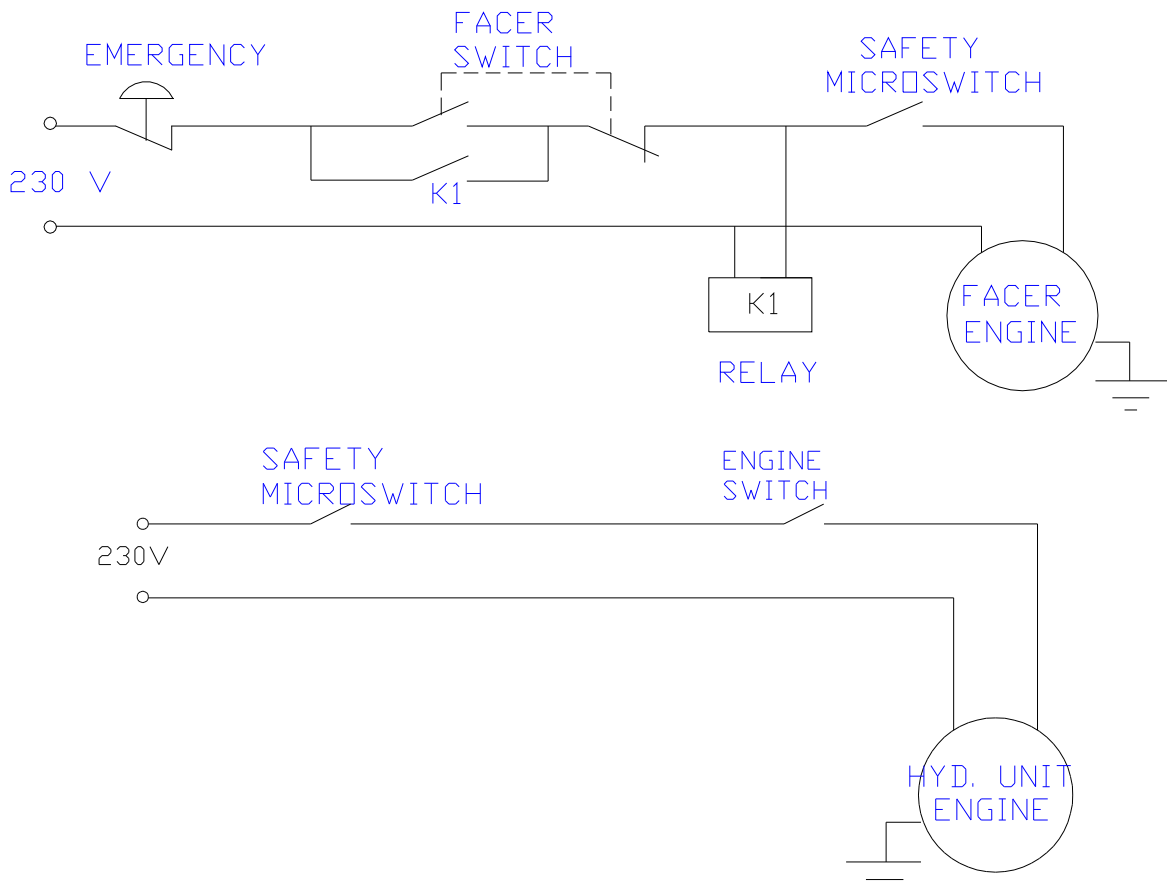
1. Check if the light is switched off , in case check the plug
2. The light is switched on, probably a wire disconnected , check the contacts as follows:
 - Take off the plug from the power
 - Unscrew the nuts and take out the thermostat support
 - Unscrew the screws and remove the cap
 - Check all the electric connections and reassemble
 - Unscrew the screws and take out the cover
 - Check all the electric connections and reassemble
3. By utilizing a Tester check if all the resistances are in good condition , if one or more are broken the heating mirror must be changed
4. By utilizing a tester check the working of the thermostat, in case substitute
5. For additional information on electric components, please refer to our **Technical Dept.**

10. Drawings

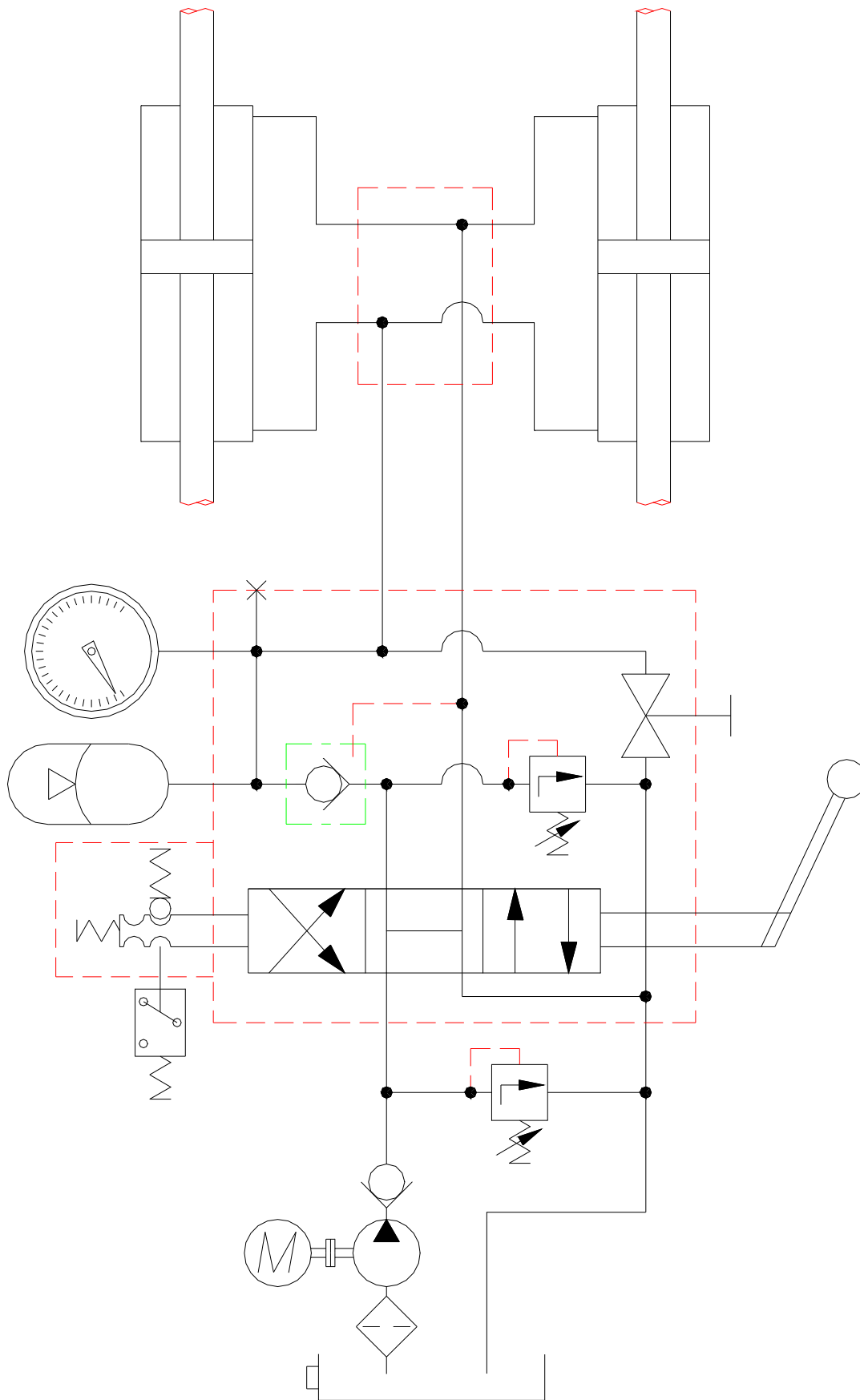
10.1 Thermostat connection



10.2 Facing tool and hydraulic unit engines connection

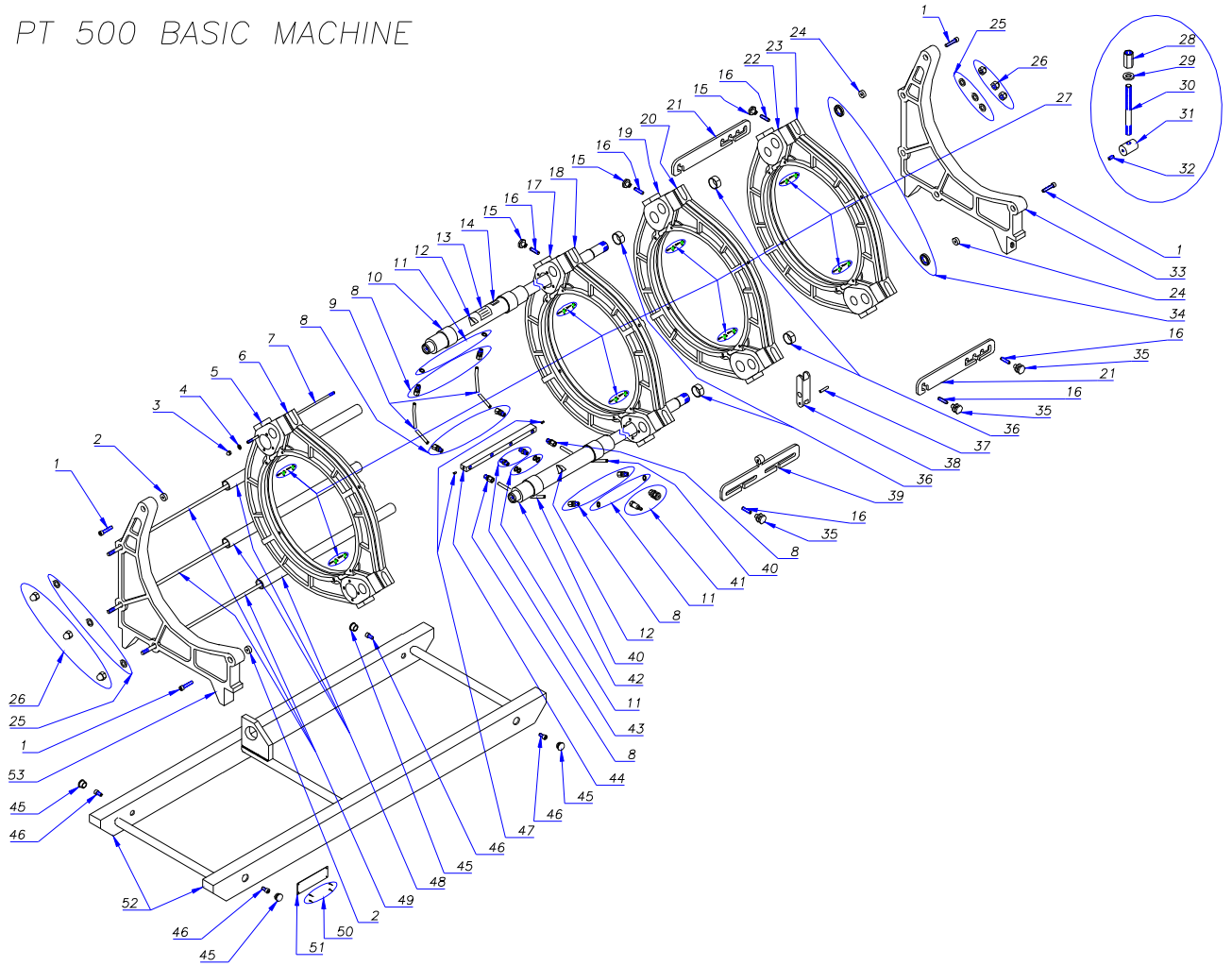


10.3 Hydraulic plan

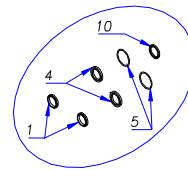


11. Exploded view and spare parts list

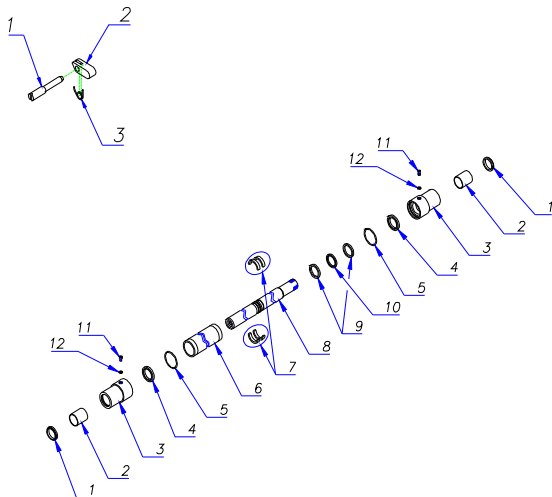
PT 500 BASIC MACHINE



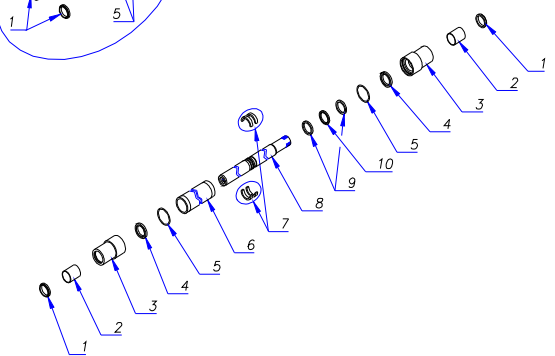
PT 500 GASKET KIT (1 cylinder)



PT500 BEEP-BEEP SYSTEM



PT500 UPPER CYLINDER

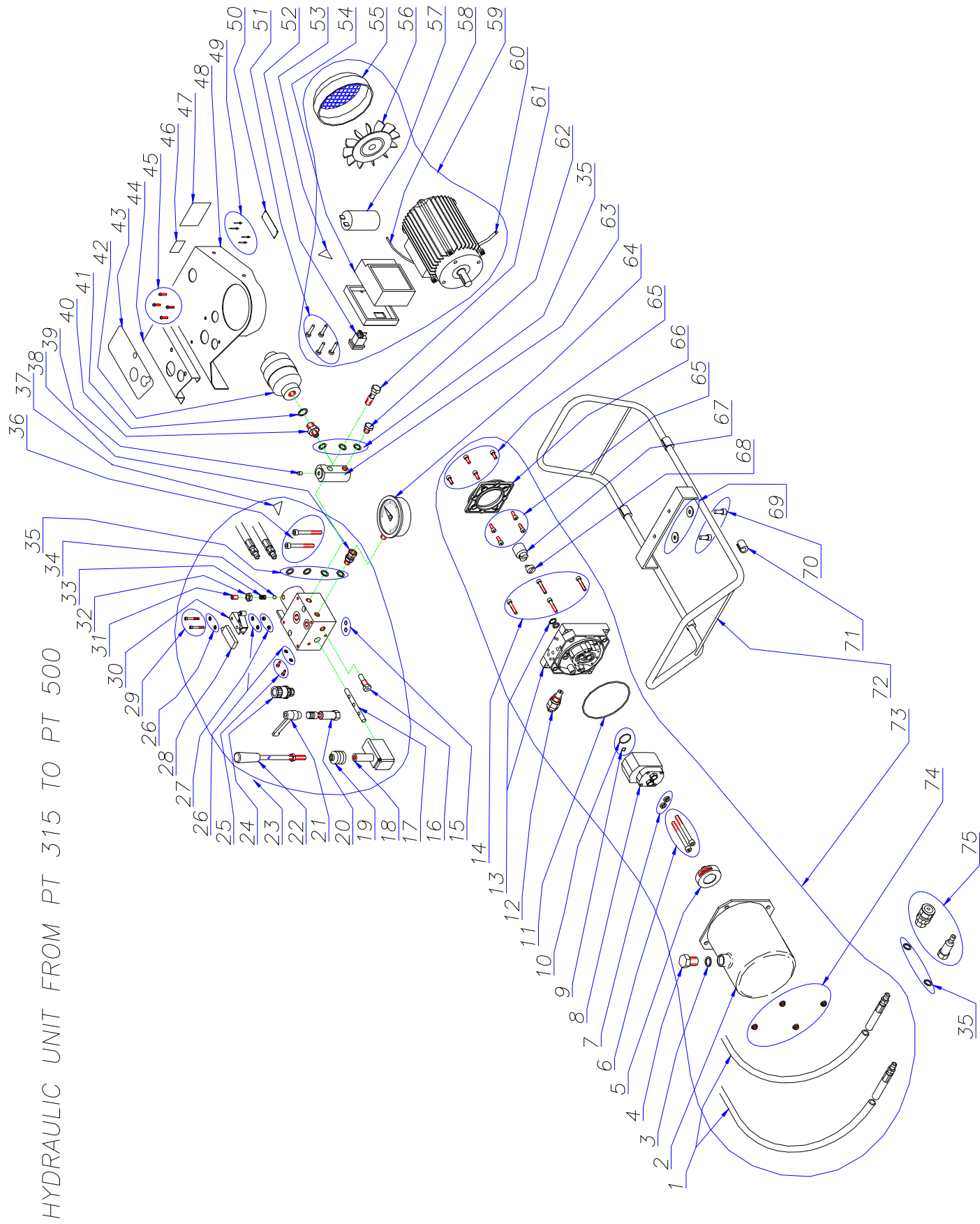


PT500 LOWER CYLINDER

PT 500 Basic Machine , Code: PT500B				PT 500 Basic Machine , Code: PT500B			
Pos.	Code	Description	Qty	Pos.	Code	Description	Qty
1	PT500B01	Screw TCEI UNI 5931 8.8 10x45z	4	30	PT500B30	Tie rod closer	8
2	PT500B02	Left bush to center cylinder tie rod	2	31	PT500B31	Tie rod pivot	8
3	PT500B03	blind nut UNI 5721 8 m 8 z	8	32	PT500B32	Tie rod pin	8
4	PT500B04	washer UNI 6592 m 8 z	8	33	PT500B33	Right side support	1
5+6	PT500B05+06	first clamp (05+06)	1	34	PT500B34	Nut din 981 30X1.5 km	2
7	PT500B07	cylinder's tie rod	8	35	PT500B35	Front spacer nut	3
8	PT500B08	Fitting TN 92 10 LR	8	36	PT500B36	40.20 FB1 bush	4
9	PT500B09	Oil hose for cylinder upper head conn.	2	37	PT500B37	H. mirror disconnecting device pin	1
10	PT500B10	Upper Cylinder	1	38	PT500B38	H.mirror disconnecting dev. hooker	1
11	PT500B11	washer bonded 1/4	8	39	PT500B39	H.mirror disconnecting dev. body	1
12	PT500B12	Danger label	2	40	PT500B40	Oil hose for cylinder lower head conn.	2
13	PT500B13	Technical data label	1	41	PT500B41	quick coupling M/F 1/4	1
14	PT500B14	Serial no. label	1	42	PT500B42	Lower Cylinder	1
15	PT500B15	Spacer nut	3	43	PT500B43	Double nipple M 1/4	2
16	PT500B16	screw STEI UNI 5923 45h 10x40 z	6	44	PT500B44	Oil collector	1
17+18	PT500B17+18	Second clamp (17+18)	1	45	PT500B45	Covers ABS 22X2	4
19+20	PT500B19+20	Third clamp (19+20)	1	46	PT500B46	Screw TCEI UNI 5931 8.8 10x20z	4
21	PT500B21	Spacer	2	47	PT500B47	Plug for oil collector d. 8	2
22+23	PT500B22+23	Fourth clamp (22+23)	1	48	PT500B48	Third bar	3
24	PT500B24	Right bush to center cylinder tie rod	2	49	PT500B49	Third bar tie rod	3
25	PT500B25	washer UNI 6592 m 12 z	6	50	PT500B50	rivet tt UNI 9200 3x7 all	4
26	PT500B26	blind nut UNI 5721 8 m 12 z	6	51	PT500B51	ITS – TECNODUE label	1
27	PT500B27	Beep beep coupler system	16	52	PT500B52	Basic machine frame	1
28	PT500B28	Nut tie rods	8	53	PT500B53	Left side support	1
29	PT500B29	Washer for tie rods	8				

PT 500 Upper Cylinder , Code: PT500B10				PT 500 Lower Cylinder , Code: PT500B42			
Pos.	Code	Description	Qty	Pos.	Code	Description	Qty
1	PT500B1001	Gasket GHK 316 40.0 48.6 5.3 43.0	2	1	PT500B4201	Gasket GHK 316 40.0 48.6 5.3 43.0	2
2	PT500B1002	40.50 FB1 bush	2	2	PT500B4202	40.50 FB1 bush	2
3	PT500B1003	Upper cylinder head	2	3	PT500B4203	Upper cylinder head	2
4	PT500B1004	Gasket I/GR 0400 NCR	2	4	PT500B4204	Gasket I/GR 0400 NCR	2
5	PT500B1005	O-ring 3231 NBR 2.62x58.42 (141)	2	5	PT500B4205	O-ring 3231 NBR 2.62x58.42 (141)	2
6	PT500B1006	Cylinder's housing	1	6	PT500B4206	Cylinder's housing	1
7	PT500B1007	Stopper ring	2	7	PT500B4207	Stopper ring	2
8	PT500B1008	Cylinder's stem	1	8	PT500B4208	Cylinder's stem	1
9	PT500B1009	Gasket ring	2	9	PT500B4209	Gasket ring	2
10	PT500B1010	Gasket E/GR 0500 NPS	1	10	PT500B4210	Gasket E/GR 0500 NPS	1
11	PT500B1011	Screw TCEI UNI 5931 8.8 6x10 z	2				
12	PT500B1012	Washer 6x12x1,5	2				

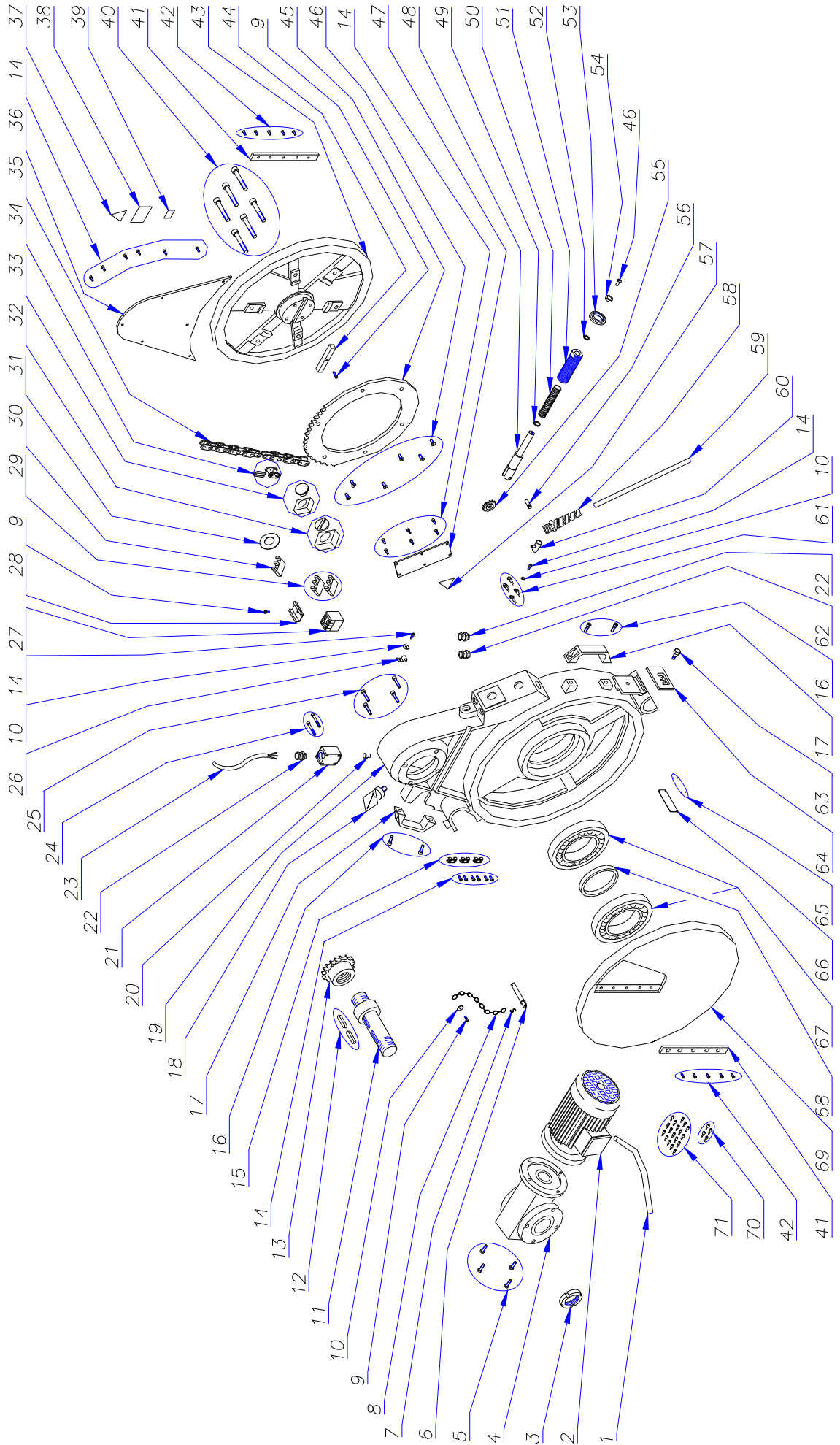
Beep Beep coupler system, Code: PT500B27				PT 500 Gasket kit, Code: PT500B42KT			
Pos.	Code	Description	Qty	Pos.	Code	Description	Qty
1	PT500B2701	Pivot for beep beep coupler system	1	1	PT500B4201	Gasket GHK 316 40.0 48.6 5.3 43.0	2
2	PT500B2702	Hook for beep beep coupler system	1	4	PT500B4204	Gasket I/GR 0400 NCR	2
3	PT500B2703	Spring for beep beep coupler system	1	5	PT500B4205	O-ring 3231 NBR 2.62x58.42 (141)	2
				10	PT500B4210	Gasket E/GR 0500 NPS	1



HYDRAULIC UNIT FROM PT 315 TO PT 500

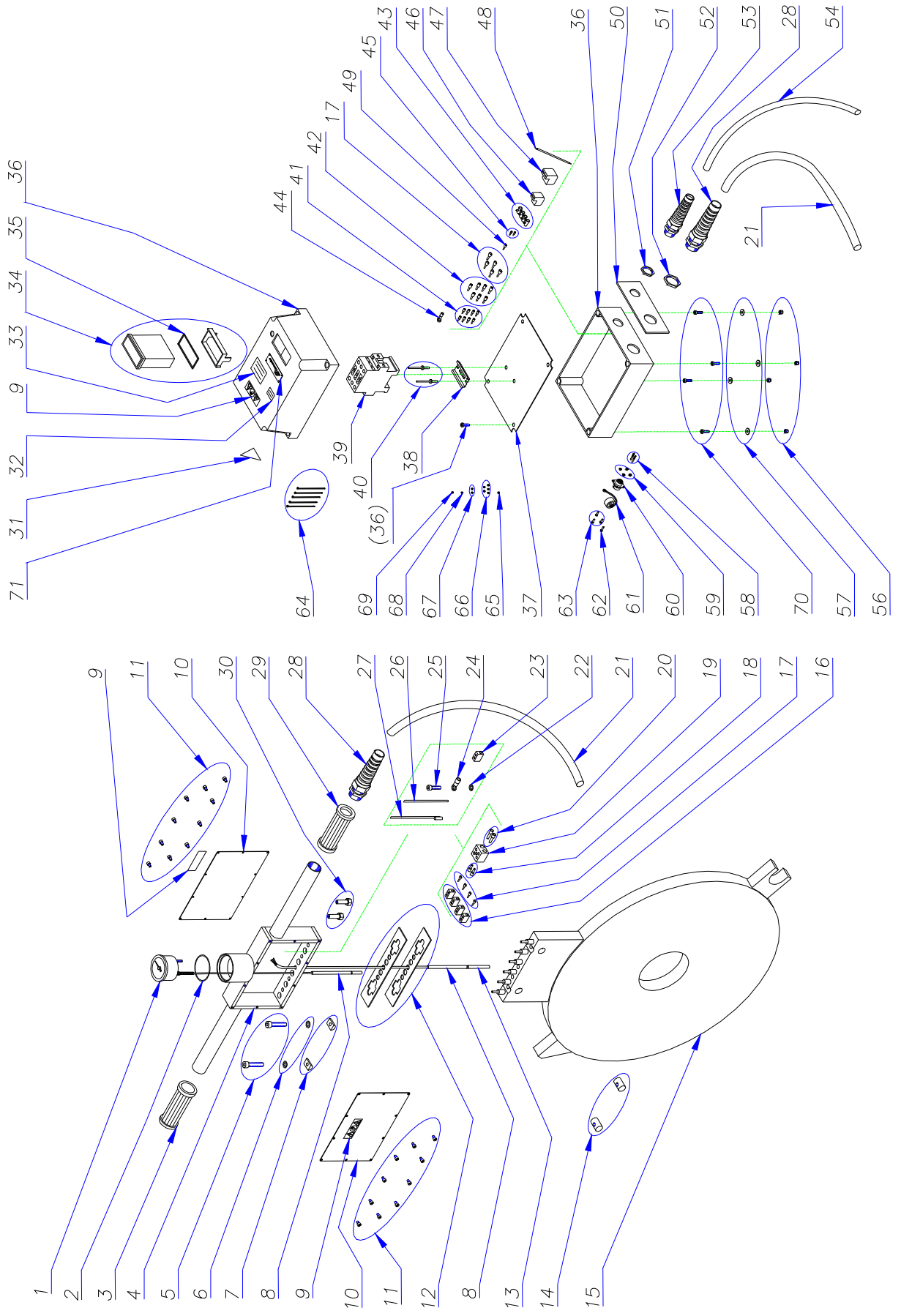
PT 500 Hydraulic Unit , Code: PT315A				PT 500 Hydraulic Unit , Code: PT315A			
Pos.	Code	Description	Qty	Pos.	Code	Description	Qty
1	PT315A01	Hose R1T M 1/4 + FD 1/4 L=2500	2	39	PT315A39	Plug d. 8	1
2	PT315A02	Oil tank LT.1	1	40	PT315A40	Nipples M 1/4	1
3	PT315A03	washer 1/2	1	41	PT315A41	Washer 18X1.5	1
4	PT315A04	Plug 1/2	1	42	PT315A42	accumulator L 01/8 with 20 g. oil	1
5	PT315A05	Filter UP 100	1	43	PT315A43	Hydraulic unit control label	1
6	PT315A06	Screw TCEI uni 5931 8.8 8x85 zin	2	44	PT315A44	Carter for valves protection	1
7	PT315A07	Washer grower UNI 1751 m8 z	2	45	PT315A45	Screws TBEI 10.9 6X10 z	4
8	PT315A08	Gear pump PS-1/1.25 S	1	46	PT315A46	Serial number label	1
9	PT315A09	O-ring 2037 NBR 1.78x9.25 (012)	1	47	PT315A47	Technical data label	1
10	PT315A10	O-ring 3106 NBR 2.62x26.65 (121)	1	48	PT315A48	Carter	1
11	PT315A11	O-ring 4450 NBR 3.53x113.9 (246)	1	49	PT315A49	Rivet tt uni 9200 3x7 all	4
12	PT315A12	Max pressure valve FPMDC15P35	1	50	PT315A50	ITS - TECNODUE 80X25 label	1
13	PT315A13	Pump body HY 10 K3P0-01 1/4 BB	1	51	PT315A51	Screw TC CR UNI 6954 3.5X19 zin	4
14	PT315A14	Screw TCEI uni 5931 8.8 6x35 zin	4	52	PT315A52	light switch 16A + cap	1
15	PT315A15	O-ring 2056 NBR 1.78x14.00 (015)	2	53	PT315A53	Electric danger label	1
16	PT315A16	Check valve RPC 04 / 2.5 00 00	1	54	PT315A54	Box FMA 63 / 71	1
17	PT315A17	Distributor shaft TC2 dr. C0618	1	55	PT315A55	Fan cover MEC 71	1
18	PT315A18	Distributor block HD 104	1	56	PT315A56	Fan MEC 71	1
19	PT315A19	Lever protection HD 104	1	57	PT315A57	Condenser 30MF	1
20	PT315A20	By pass valve V03/M	1	58	PT315A58	Cable H07 RNF 2G1 TITANEX	0,35
21	PT315A21	Handle	1	59	PT315A59	Engine MEC 71 HP 0.5 B14 230V 2P	1
22	PT315A22	Distributor lever HD 104 L.185	1	60	PT315A60	Cable H07 RNF 3G1 TITANEX	3
23	PT315A23	Complete distributor TC2	1	61	PT315A61	Hollow screw	1
24	PT315A24	Pressure regulating valve VEN 06	1	62	PT315A62	Plug 1/4	1
25	PT315A25	Screw TCEI UNI 5931 8.8 4x10 z	2	63	PT315A63	Pressure gauge support	1
26	PT315A26	Washer UNI 6592 m 4 zin	6	64	PT315A64	Pressure gauge D.100 range 0-160 BAR	1
27	PT315A27	Nut UNI 7473 8 m4	2	65	PT315A65	Screw TCEI UNI 5931 8.8 6x16 zin	8
28	PT315A28	Plastic cap	1	66	PT315A66	Engine flange c.a. HP 0.33/0.5 FLCA71	1
29	PT315A29	Screw TCEI UNI 5931 8.8 4x35z	2	67	PT315A67	Joint HP 0.33/0.50	1
30	PT315A30	Microswitch ASITZ 7141	1	68	PT315A68	Pump joint g. 1 x 0.27 reinf.	1
31	PT315A31	Screw STEI UNI 5923 45h 10x14 z	1	69	PT315A69	Washer fl m 10x30x2,5 zin	2
32	PT315A32	Nut UNI 5589 8 m 10 zin	1	70	PT315A70	Screw TCEI UNI 5931 8.8 10x25 zin	2
33	PT315A33	Spring latch	1	71	PT315A71	Support 18-20	4
34	PT315A34	Ball 5/16"	1	72	PT315A72	Frame	1
35	PT315A35	Washer 1/4	9	73	PT315A73	Unit model HY10 130 complete	1
36	PT315A36	Screw TCEI UNI 5931 8.8 8x70z	2	74	PT315A74	Nut DIN 6923 8 m 6	4
37	PT315A37	Generic danger label	1	75	PT315A75	quick coupling M/F 1/4	1
38	PT315A38	Connector FT 299 44 M 1/4"	1				

PT 500 FACING TOOL



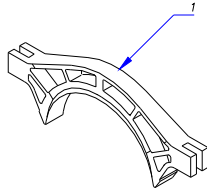
PT 500 Facing Tool , Code: PT500F				PT 500 Facing Tool , Code: PT500F			
Pos.	Code	Description	Qty	Pos.	Code	Description	Qty
1	PT500F01	Cable H07 RNF 3G1,5 TITANEX	1	37	PT500F37	Generic danger label	1
2	PT500F02	Engine single HP 1.5 B14 220V	1	38	PT500F38	Technical data label	1
3	PT500F03	Nut 25x1.5	1	39	PT500F39	Serial no. label	1
4	PT500F04	Engine reducing gear	1	40	PT500F40	Screw TCEI UNI 5931 8.8 10x65 zin	6
5	PT500F05	Screw TE UNI 5739 8.8 6x20 z	4	41	PT500F41	5 holes blade	2
6	PT500F06	Facing tool stopper pin	1	42	PT500F42	Screw tspi UNI 6109 4x12 a2	10
7	PT500F07	Hook for chain pin	1	43	PT500F43	Disk with crown gear support	1
8	PT500F08	Facing tool stopper chain	0,2	44	PT500F44	Disks key	1
9	PT500F09	Screw TCEI UNI 5931 8.8 4x10 zin	3	45	PT500F45	Crown gear	1
10	PT500F10	Washer fl UNI 6593 m 4x12x1,5 zin	3	46	PT500F46	Screw TSPEI 5933 10.9 6x16 z	7
11	PT500F11	Reducing gear shaft	1	47	PT500F47	Connecting box cover	1
12	PT500F12	Tongue UNI 6604a c45 8x7x30	2	48	PT500F48	Chain tightener shaft	1
13	PT500F13	Pinion ½ x 3/16 Z=10	1	49	PT500F49	O-ring 3068 NBR 2.62x17.13 (115)	1
14	PT500F14	Screw TCEI UNI 5931 8.8 4x10 z	20	50	PT500F50	Spring for chain tightener shaft	1
15	PT500F15	Cable holder	3	51	PT500F51	Support for chain tightener shaft	1
16	PT500F16	Screw TCEI UNI 5931 8.8 6x20 z	4	52	PT500F52	O-ring 119 NBR 2.62x15.08 (616)	1
17	PT500F17	Plastic handle	2	53	PT500F53	Nut DIN 981 30x1.5	1
18	PT500F18	Hook	1	54	PT500F54	Washer	1
19	PT500F19	Facing tool body	1	55	PT500F55	Pinion ½ x 3/16 Z=8	1
20	PT500F20	Safety switch bush	1	56	PT500F56	Chain tightener pinion pin	1
21	PT500F21	Safety switch	1	57	PT500F57	Electric danger label	1
22	PT500F22	Cable stopper PG11 163/11	2	58	PT500F58	Cable stopper PG13.5	1
23	PT500F23	Cable H07 RNF 3G1	1	59	PT500F59	Cable H07 RNF 3G1,5 TITANEX	5,3
24	PT500F24	Screw TCEI UNI 5931 8.8 5x35 z	2	60	PT500F60	Terminal mm ² 6	1
25	PT500F25	Screw TCEI UNI 5931 8.8 6x25 z	4	61	PT500F61	Connector M4 red	4
26	PT500F26	Metal cable holder	1	62	PT500F62	Cable stopper PG13.5 163/13.5	1
27	PT500F27	Remote control switch 16A 220V	1	63	PT500F63	Facer stopper screw	1
28	PT500F28	Remote control switch support	1	64	PT500F64	Facer stopper	1
29	PT500F29	Terminal NC 1	2	65	PT500F65	Rivets tt UNI 7346 2,5x6,5 brass	4
30	PT500F30	Terminal NA 1	1	66	PT500F66	label ITS - TECNODUE 80X25	1
31	PT500F31	"Emergency-stop" label	1	67	PT500F67	Ball bearing 16018	2
32	PT500F32	Black selector 3 positions	1	68	PT500F68	Ball bearing spacer	1
33	PT500F33	Push button 40 RER	1	69	PT500F69	Disk	1
34	PT500F34	Chain joint ½ x 3/16 TPM 084	1	70	PT500F70	Double ins. pipe 2X1.5mm ² P=8MM black	4
35	PT500F35	Chain ½ x 3/16 TPM 084	1,65	71	PT500F71	Insulating pipe 1.5mm ² P=8MM red	18
36	PT500F36	Carter	1				

PT 500 HEATING MIRROR

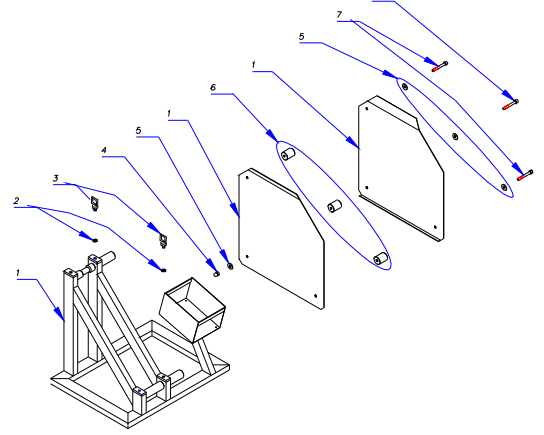


PT 500 Heating Mirror , Code: PT500T				PT 500 Heating Mirror , Code: PT500T			
Pos.	Code	Description	Qty	Pos.	Code	Description	Qty
1	PT500T01	Thermometer	1	36	PT500T36	Thermostat box	1
2	PT500T02	o-ring 2200 NBR 1.78x50.52 (033)	1	37	PT500T37	Box bottom – SAREL 09160	1
3	PT500T03	Rubber handgrip D. 30	1	38	PT500T38	Omega bar lenght 45	1
4	PT500T04	Box with handles	1	39	PT500T39	Contactore 230V 50-60hz 7.5kw	1
5	PT500T05	Screw TCEI UNI 5931 8x45 a2	2	40	PT500T40	Rivett uni 9200 4X12 all	2
6	PT500T06	Washer grower UNI 1751 m8 z	2	41	PT500T41	Yellow insulating pipe 1 mm ² P=8MM	8
7	PT500T07	Fixing screws for box with handles	2	42	PT500T42	Gray insulating pipe 2,5 mm ² P=9MM	7
8	PT500T08	Insulating hose pipe D.5 1.5V	0,2	43	PT500T43	Connector 4 mm ²	4
9	PT500T09	Danger and compulsory label	3	44	PT500T44	Red connector 4 mm ²	1
10	PT500T10	Thermometer holder cover	2	45	PT500T45	White insulating pipe 0,75 mm ² P=8MM	2
11	PT500T11	Screw TCEI UNI 5931 4x8 a2	20	46	PT500T46	3 studs terminal	1
12	PT500T12	Insulating gasket FASIT 75 200X38X2	2	47	PT500T47	5 studs terminal	1
13	PT500T13	Probe PT100 2+2 wires	1	48	PT500T48	Black flame retardant wire 1 mm ²	6
14	PT500T14	Fixing support for box with handles	2	49	PT500T49	Double gray insul. pipe 2x0,75mm ² P=8MM	4
15	PT500T15	Heating plate	1	50	PT500T50	Connecting box spacer	1
16	PT500T16	Steatite terminal 4 mm ²	4	51	PT500T51	Brass nut PG16 169/16	1
17	PT500T17	Double red insul. pipe 2x1mm ² P=8MM	9	52	PT500T52	Brass nut PG21 169/21	1
18	PT500T18	Black insulating pipe 6mm ² P=12MM	2	53	PT500T53	Cable stopper PG16	1
19	PT500T19	2 poles steatite terminal 16 mm ²	1	54	PT500T54	Cable H07 RNF 3G4 TITANEX	5,3
20	PT500T20	Brown insulating pipe 10mm ² P=12MM	2	56	PT500T56	Nut UNI 7473 8 m 4	4
21	PT500T21	Cable H07 RNF 10G1,5 TITANEX	5,6	57	PT500T57	Washer fl UNI 6593 4X12X1,5 z	4
22	PT500T22	Washer UNI 6593 m 6 z	1	58	PT500T58	Female connector	4
23	PT500T23	Steatite terminal 6 mm ²	1	59	PT500T59	Nut UNI 5588 m 3 brass	4
24	PT500T24	Blue connector M6	1	60	PT500T60	Connector UTG 012-8S	1
25	PT500T25	Screw TCEI UNI 5931 8.8 6x10 z	1	61	PT500T61	Connector 8 pins	1
26	PT500T26	Y/G Sylicon wire 2,5 mm ²	0,2	62	PT500T62	Screw TSPI UNI 6109 3x12 brass	1
27	PT500T27	Screw for ground	1	63	PT500T63	Screw TCI UNI 6107 3x10 brass	3
28	PT500T28	Cable stopper PG21	2	64	PT500T64	Black plastic ring 99x2,5	5
29	PT500T29	Handgrip with hole for cable st.	1	65	PT500T65	Ring 3.5 type 0	1
30	PT500T30	Fixing screw for thermometer	2	66	PT500T66	Ring 3.5 type 1	5
31	PT500T31	Electric danger label	1	67	PT500T67	Ring 3.5 type 2	2
32	PT500T32	Serial no. label	1	68	PT500T68	Ring 3.5 type 3	1
33	PT500T33	Technical data label	1	69	PT500T69	Ring 3.5 type 5	1
34	PT500T34	Thermostat TLK38	1	70	PT500T70	Screw TC CR 7687 4.8 4x16 zin	4
35	PT500T35	Gasket for TLK38 thermostat 33X74	1	71	PT500T71	ITS – TECNODUE 80X25 label	1

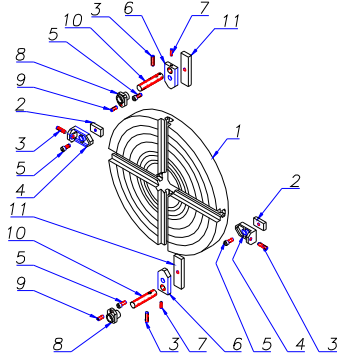
PT 500 SHORT SPIGOT FITTINGS CLAMP



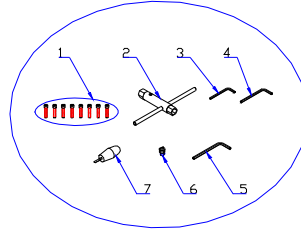
PT 500 SUPPORT



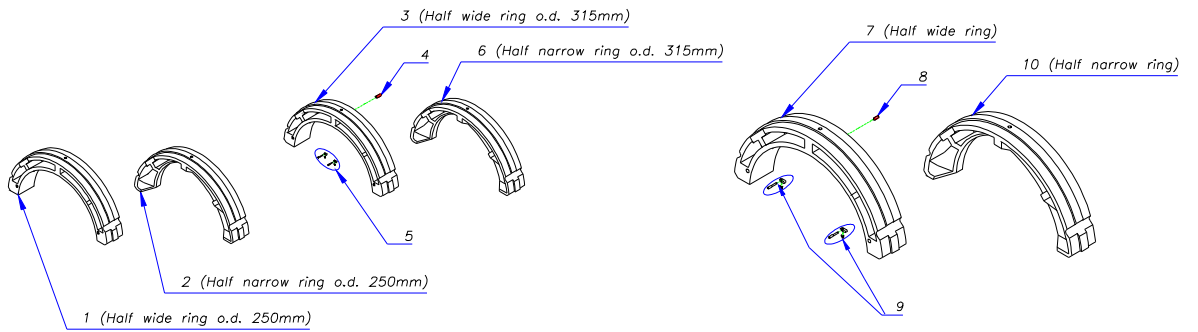
PT 500 STUB END DEVICE



PT 500 TOOLS KIT



PT 500 HALF RINGS REDUCTIONS



PT 500 Stub Device , Code: PT500S				PT 500 Stub Device , Code: PT500S			
Pos.	Code	Description	Qty	Pos.	Code	Description	Qty
1	PT500S01	Plateau PT 500	1	7	PT500S07	Screw STEI UNI 5927 45h 5x8 zin	2
2	PT500S02	Cursor	2	8	PT500S08	Upper stopper	2
3	PT500S03	Screw STEI UNI 5927 45h 8x35 zin	4	9	PT500S09	Screw STEI UNI 5923 45h 8x20	2
4	PT500S04	Bracket	2	10	PT500S10	Screw for fixing s.e. braket	2
5	PT500S05	screw TCEI UNI 5931 8.8 8x20 zin	4	11	PT500S11	Plate for fixing s.e. braket	2
6	PT500S06	Fixing stub end bracket	2				

PT 500 Tools kit, Code: PT500TK				PT 500 Tools kit, Code: PT500TK			
Pos.	Code	Description	Qty	Pos.	Code	Description	Qty
1	PT500TK01	Screw TCEI UNI 5931 8.8 8x100 zin	8	5	PT500TK05	Setscrew wrench UNI 6753 s 6	1
2	PT500TK02	Socket wrench	1	6	PT500TK06	Plug 1/2 for hydraulic unit	1
3	PT500TK03	Setscrew wrench UNI 6753 s 4	1	7	PT500TK07	Screw driver	1
4	PT500TK04	Setscrew wrench UNI 6753 s 5	1				

PT 500 Support, Code: PT500U				PT 500 Support, Code: PT500U			
Pos.	Code	Description	Qty	Pos.	Code	Description	Qty
1	PT500U01	Support	1	5	PT500U05	Washer UNI 6593 m 10x30x2.5 z	4
2	PT500U02	Washer UNI 6592 m 10 z	2	6	PT500U06	Spacer for support	3
3	PT500U03	Hook	2	7	PT500U07	Screw TCE UNI 5931 8.8 10x75 z	2
4	PT500U04	Blind nut UNI 5721 8 m 10 z	1	8	PT500U08	Screw TCE UNI 5931 8.8 10x70 z	1

PT 500 Half reduction			PT 500 Short spigot fit. clamp, Code: PT500G			
Pos.	Description	Qty	Pos.	Code	Description	Qty
1	Half wide ring av. sizes: 200X250mm, 225X250mm		1	PT500G	Short Spigot fittings clamp	1
2	Half narrow ring av. sizes: 200X250mm, 225X250mm					
3	Half wide ring d. 250x315mm, 280x315mm					
4	Screw STEI UNI 5923 45h 8x16					
5	Beep beep coupler system fot PT250					
6	Half narrow ring d. 250x315mm, 280x315mm					
7	Half wide ring av. Sizes: d. 315, 355, 400, 450mm					
8	Screw STEI UNI 5923 45h 6x20					
9	Beep beep coupler system fot PT315					
10	Half Narrow ring av. Sizes: d. 315, 355, 400, 450mm					

This manual has been printed on April 2009

The technical data and information contained in this manual can be changed without any notice